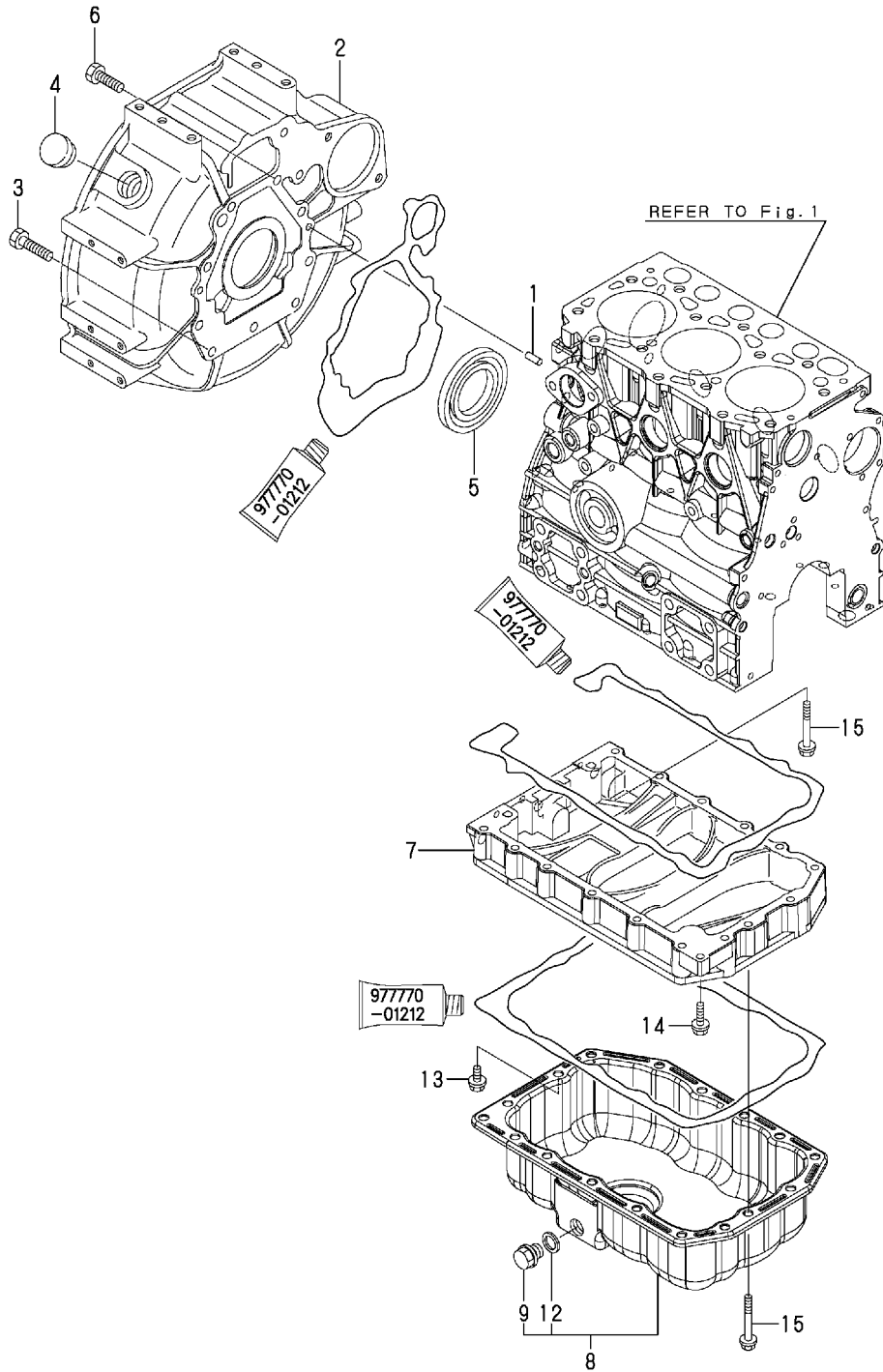


Fig.3.FLYWHEEL HOUSING & OIL SUMP

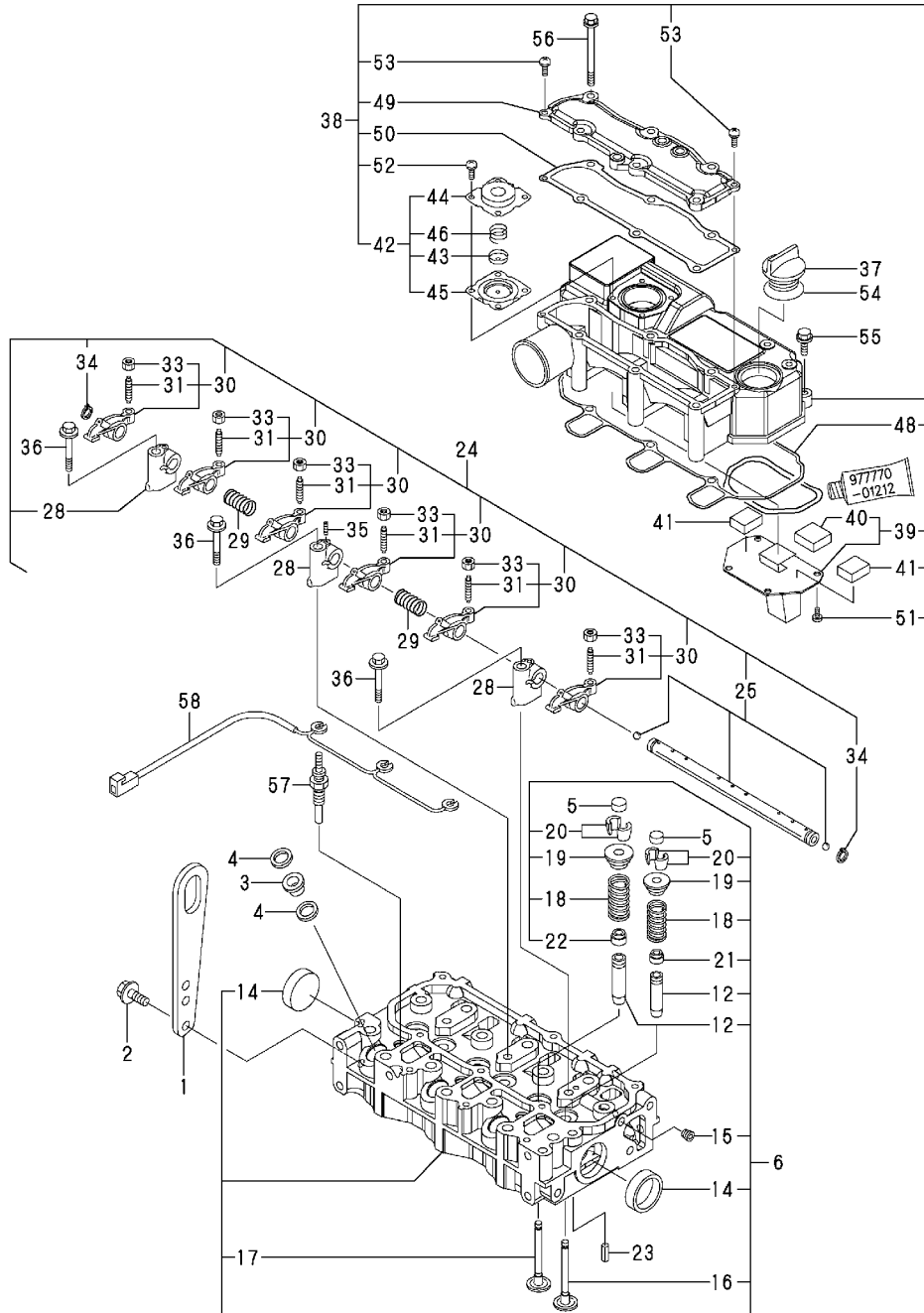


(A)=3TNV70-ASA (D)=
 (B)= (E)=
 (C)= (F)=

REF.	LEV.	PARTS NO.	DESCRIPTION	QTY						I	R
				(A)	(B)	(C)	(D)	(E)	(F)		
1	1	129100-01580	PARALLEL PIN 8X16		2						
2	1	119717-01610	HOUSING, FLYWHEEL		1						
3	1	121120-01620	BOLT M 10X 28		3						
4	1	119620-01750	CAP, FLYWHEEL COVER		1						
5	1	124085-02220	SEAL, OIL		1						
6	1	26206-100252	BOLT M10X25		8						
7	1	119515-01720	SPACER, OIL SUMP		1						
8	1	119515-01770	SUMP ASSY, LUB.OIL		1						
9	2	105425-01690	PLUG M16		1						
12	2	22190-160002	SEAL WASHER 16S		1						
13	1	26106-060122	BOLT M 6X 12 PLATED		1						
14	1	26106-060252	BOLT M 6X 25 PLATED		1						
15	1	26106-060452	BOLT M 6X 45 PLATED		17						

FIG.4.CYLINDER HEAD & BONNET

(A)=3TNV70-ASA (D)=
 (B)= (E)=
 (C)= (F)=

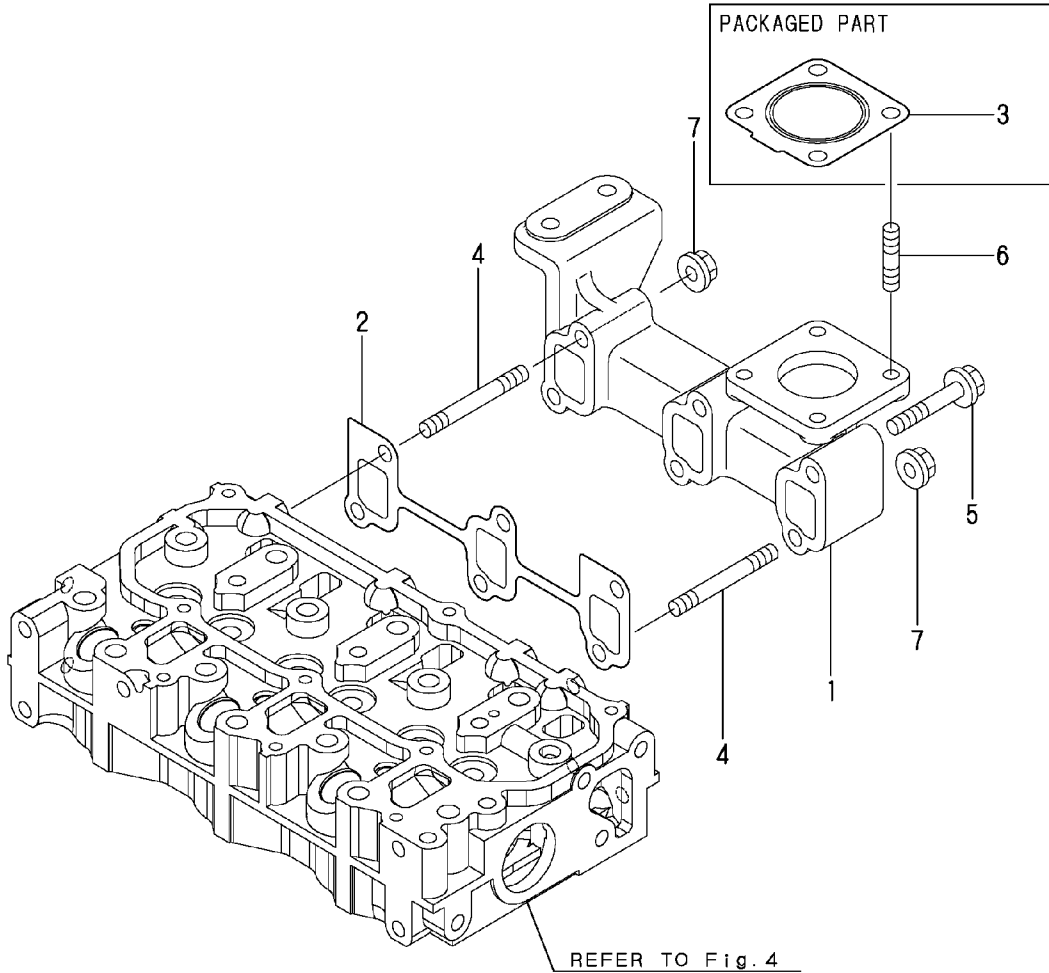


REF.	LEV.	PARTS NO.	DESCRIPTION	QTY						I	R
				(A)	(B)	(C)	(D)	(E)	(F)		
1	1	129900-07900	LIFTER, ENGINE	1							
2	1	26106-080162	BOLT M 8X 16 PLATED	2							
3	1	129901-11450	PROTECTOR, NOZZLE	3							
4	1	119600-11460	GASKET, NOZZLE	6							
5	1	105010-11490	CAP, VALVE	6							
6	1	119515-11750	HEAD ASSY, CYLINDER	1							
12	3	119515-11800	GUIDE, VALVE	6							1
14	3	119285-11990	PLUG 35	2							
15	3	23876-005000	PLUG PT 1/16,SCREW	1							
16	2	119515-11100	VALVE, INTAKE	3							
17	2	119515-11110	VALVE, EXHAUST	3							
18	2	119717-11131	SPRING, VALVE	6							
19	2	129508-11180	RETAINER, SPRING	6							
20	2	119717-11190	COTTER, VALVE	12							
21	2	119717-11340	SEAL, VALVE STEM	3							
22	2	119717-11350	SEAL, VALVE STEM	3							
23	1	22351-060012	SPRING PIN 6X12	2							
24	1	119515-11200	SUPPORT ASSY, ARM	1							
25	2	119515-11240	SHAFT ASSY, ROCKER	1							
28	2	119717-11260	SUPPORT, ROCKER ARM	3							
29	2	119515-11280	SPRING, SHAFT	2							
30	2	119717-11650	ARM ASSY, ROCKER	6							
31	3	129150-11230	SCREW, VALVE	6							
33	3	129150-11750	NUT M8XP1.0	6							
34	2	22242-000120	CIRCLIP 12	2							
35	2	26979-050162	SCREW M 5X16	1							
36	1	26106-080402	BOLT M 8X 40 PLATED	3							
37	1	124160-01751	COVER,FILLER	1							
38	1	119515-11380	BONNET ASSY, HEAD	1							
39	2	119717-03031	PLATE, BAFFLE	1							
40	3	119717-03070	BAFFLE, BREATHER	1							
41	2	119717-03070	BAFFLE, BREATHER	2							
42	2	119802-03100	DIAPHRAGM ASSY	1							
43	3	119802-03110	PLATE, DIAPHRAGM	1							
44	3	119802-03121	COVER, DIAPHRAGM	1							
45	3	119802-03131	DIAPHRAGM	1							
46	3	119802-03141	SPRING, DIAPHRAGM	1							
48	2	119515-11310	GASKET, BONNET	1							
49	2	119515-11320	PLATE, BAFFLE	1							
50	2	119515-11330	PLATE, BAFFLE	1							
51	2	22857-500100	SCREW 5X10,TAPPING	4							
52	2	22857-500100	SCREW 5X10,TAPPING	4							
53	2	22857-500160	SCREW 5X16	2							
54	1	24311-000320	O-RING 1A P-32.0	1							
55	1	26106-060202	BOLT M 6X 20 PLATED	3							
56	1	26106-060752	BOLT M 6X 75 PLATED	6							
57	1	119717-77800	PLUG, GLOW	3							
58	1	119717-77820	CONNECTOR, GLOW PLUG	1							

Remarks
 (1)REPAIR PART.

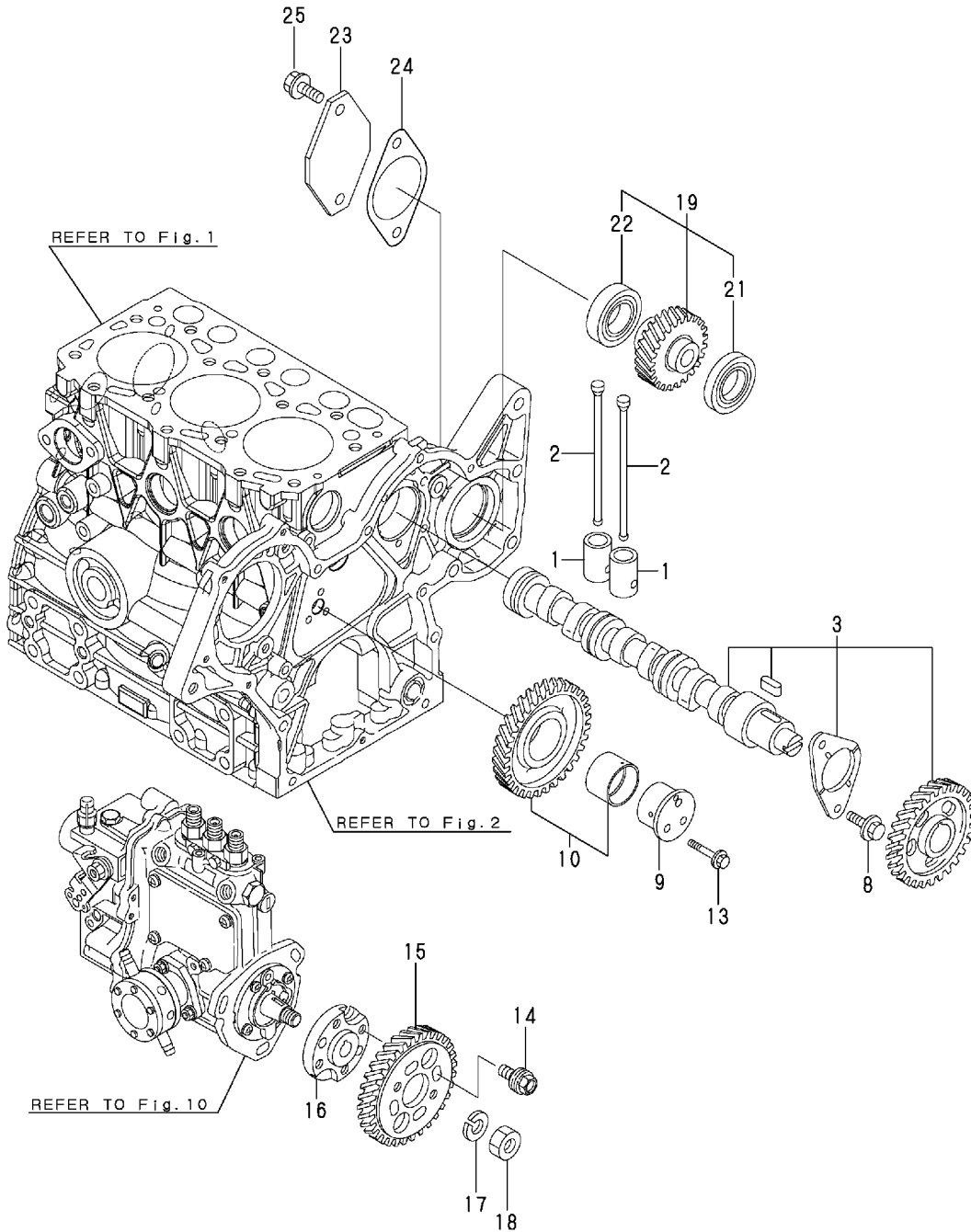
Fig.5.EXHAUST MANIFOLD

(A)=3TNV70-ASA (D)=
 (B)= (E)=
 (C)= (F)=



REF.	LEV.	PARTS NO.	DESCRIPTION	QTY						I	R
				(A)	(B)	(C)	(D)	(E)	(F)		
1	1	119717-13109	MANIFOLD, EXHAUST	1							
2	1	119717-13110	GASKET, MANIFOLD	1							
3	1	119515-13200	GASKET, SILENCER	1							
4	1	119717-13600	STUD, M8X50	2							
5	1	119802-13620	BOLT M 8X 50 PLATED	4							
6	1	119131-18320	BOLT M 8X 22	4							
7	1	26306-080002	NUT	2							

Fig.6.CAMSHAFT & DRIVING GEAR



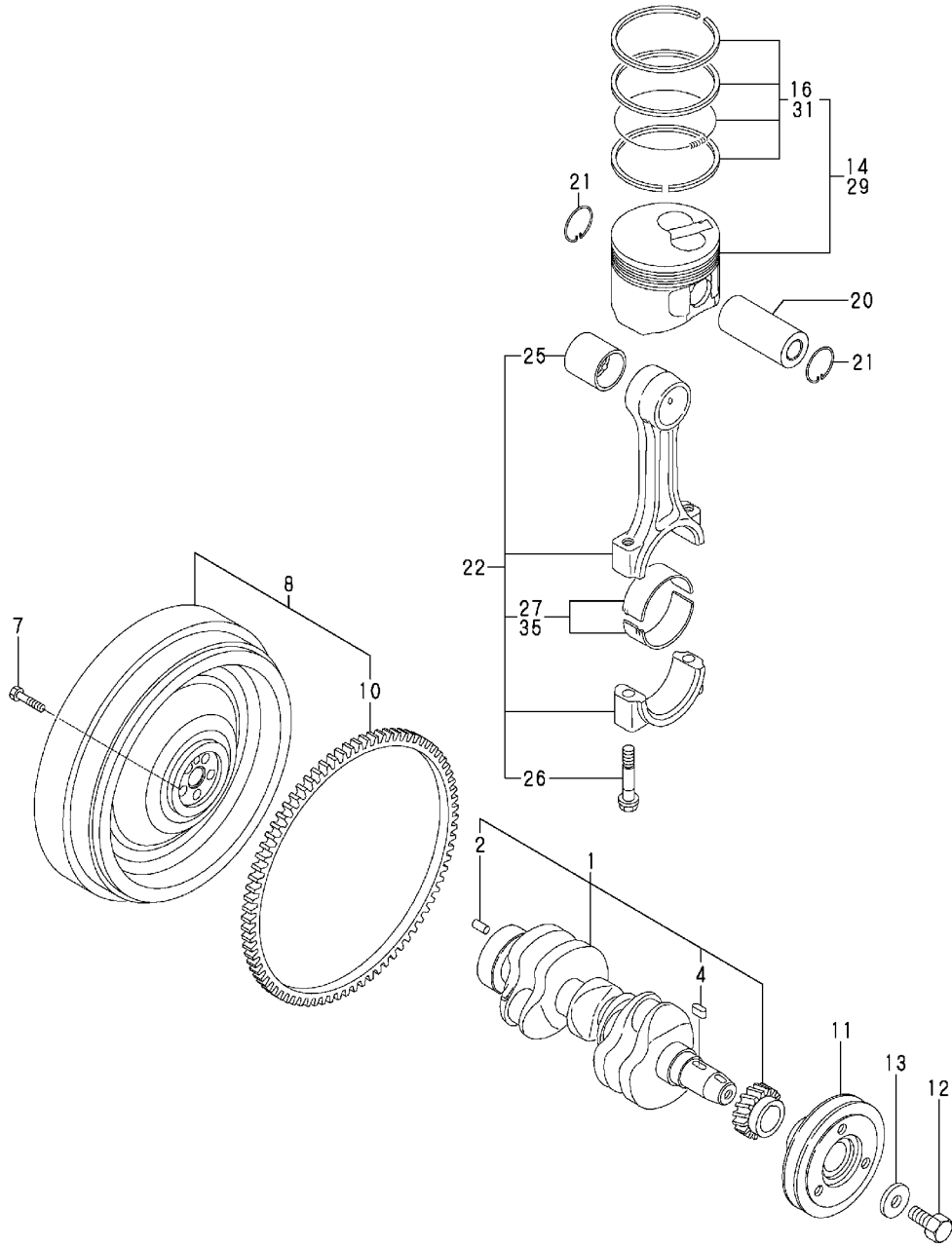
Y00R5800 6.CAMSHAFT & DRIVING GEAR

(A)=3TNV70-ASA (D)=
 (B)= (E)=
 (C)= (F)=

REF.	LEV.	PARTS NO.	DESCRIPTION	QTY						I	R
				(A)	(B)	(C)	(D)	(E)	(F)		
1	1	119620-14200	TAPPET	6							
2	1	119515-14400	ROD, PUSH	6							
3	1	119515-14580	CAMSHAFT ASSY	1							
8	1	26106-060122	BOLT M 6X 12 PLATED	2							
9	1	119717-25050	SHAFT, IDLE GEAR	1							
10	1	119717-25100	GEAR ASSY, IDLE	1							
13	1	26106-060352	BOLT M 6X 35 PLATED	3							
14	1	129150-25301	BOLT,FI-P	4							
15	1	119717-25930	GEAR, PUMP	1							
16	1	119717-51150	FLANGE	1							
17	1	22217-120000	SPRING WASHER 12	1							
18	1	26716-120002	NUT 12	1							
19	1	119744-26000	GEAR CMP(HO-P	1							
21	2	129350-26490	BALL BEARING	1							
22	2	24104-060054	BALL BEARING	1							
23	1	119742-26070	COVER, PUMP	1							
24	1	119742-26080	GASKET, BRACKET	1							
25	1	26106-080162	BOLT M 8X 16 PLATED	2							

Fig.7.CRANKSHAFT & PISTON

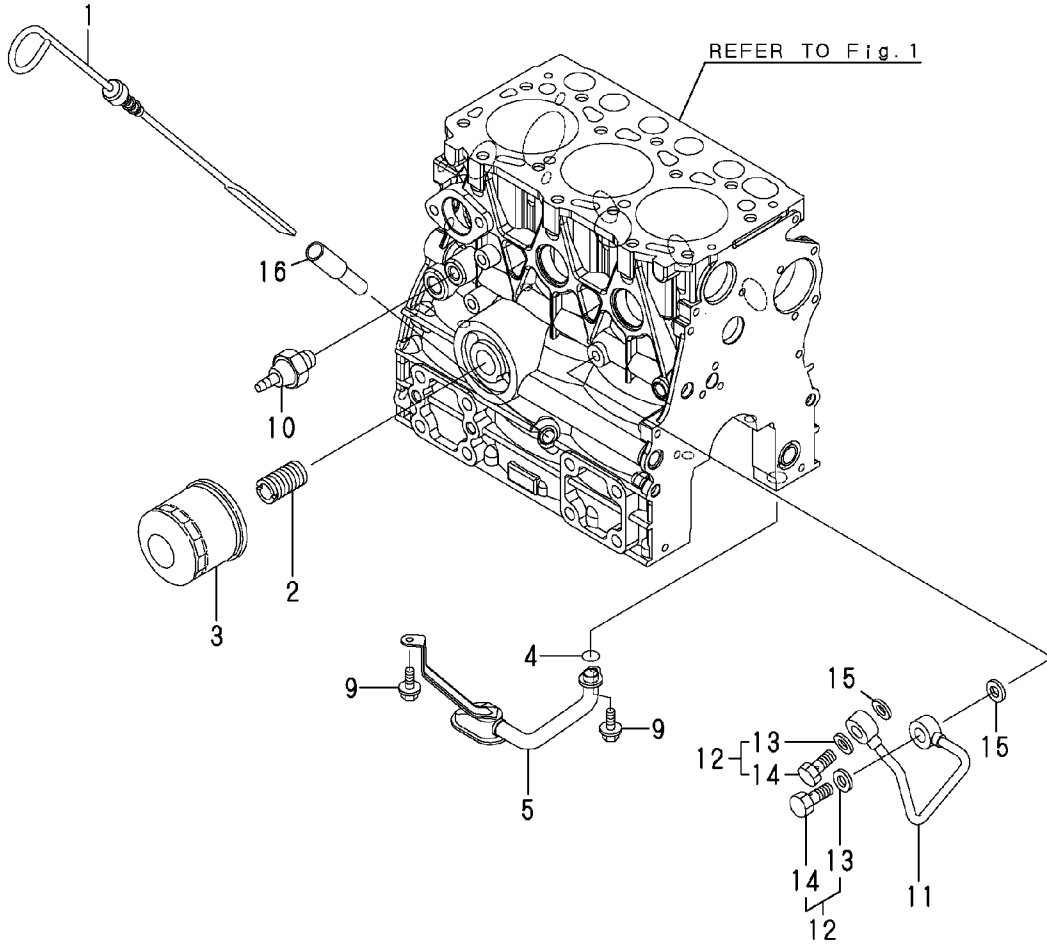
(A)=3TNV70-ASA (D)=
 (B)= (E)=
 (C)= (F)=



REF.	LEV.	PARTS NO.	DESCRIPTION	QTY						I	R
				(A)	(B)	(C)	(D)	(E)	(F)		
1	1	119515-21700	CRANKSHAFT ASSY	1							
2	2	129100-01580	PARALLEL PIN 8X16	1							
4	2	22512-040120	KEY 4X 12	1							
7	1	121111-21501	BOLT, FLYWHEEL	5							
8	1	119746-21570	FLYWHEEL ASSY	1							
10	2	119865-21600	GEAR, RING	1							
11	1	119717-21650	V-PULLEY, CRANKSHAFT	1							
12	1	119621-21680	BOLT M12X1.25,FLANGE	1							
13	1	119620-21941	WASHER	1							
14	1	119515-22080	PISTON ASSY	3							
16	2	119515-22500	RING SET, 0.25 OS	3							
20	1	119515-22300	PIN, PISTON	3							
21	1	22252-000220	CIRCLIP 22	6							
22	1	119515-23000	ROD ASSY, CONNECTING	3							
25	2	119717-23910	BUSH, PISTON PIN	3							2
26	2	119717-23200	BOLT, CONNECTING ROD	6							
27	2	119515-23600	METAL ASSY,CRANK PIN	3							
29	1	119515-22900	PISTON ASSY(O.S=0.25	3							1
31	2	119515-22550	RING SET (O.S=0.25)	3							1
35	1	119515-23610	BEARING,PIN US=0.25	3							3

Remarks
 (1)OVER SIZED(O.S.=0.25)PART.
 (2)REPAIR PART.
 (3)UNDER SIZED(U.S.=0.25)PART.

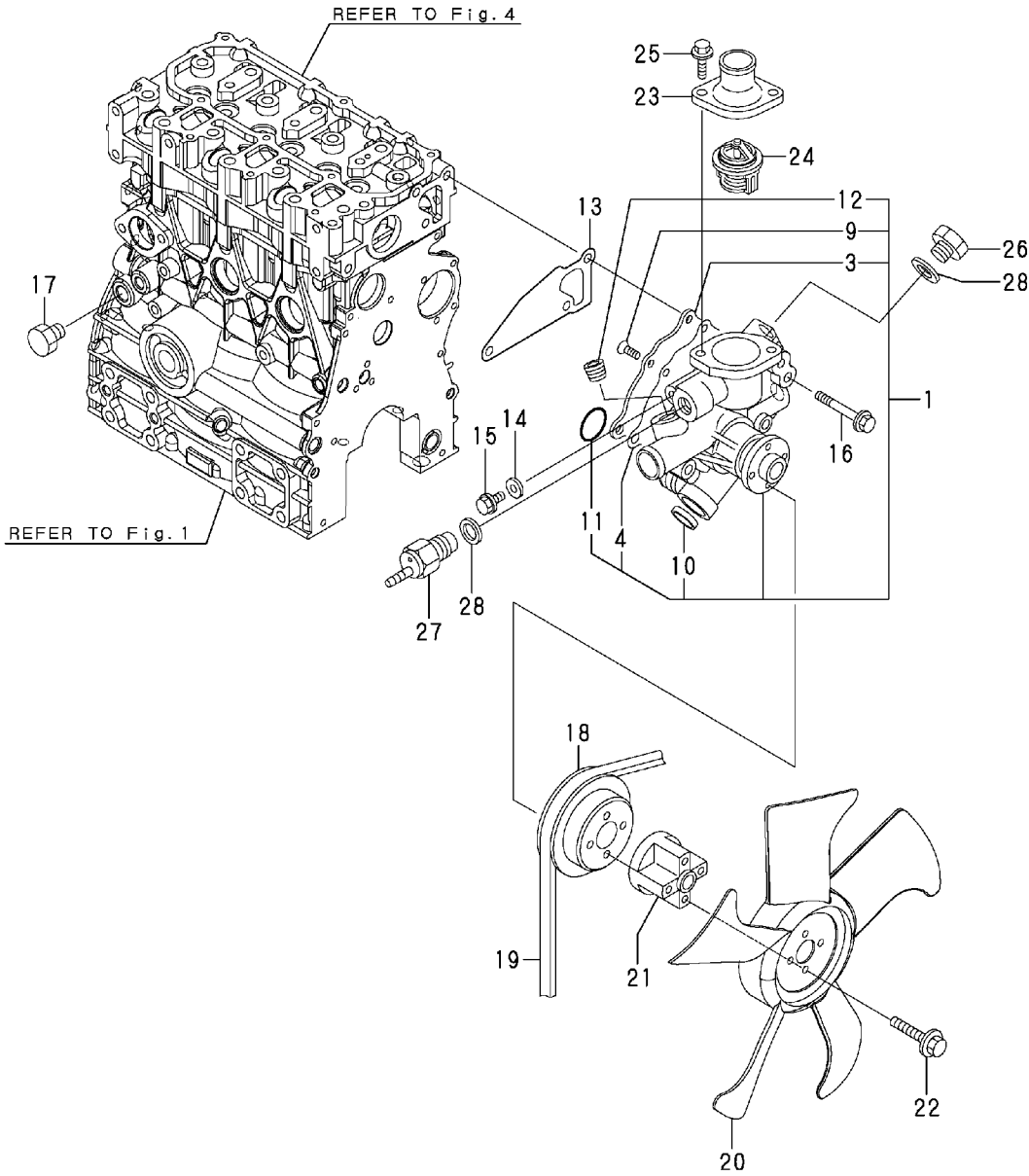
Fig.8.LUB.OIL SYSTEM



(A)=3TNV70-ASA (D)=
 (B)= (E)=
 (C)= (F)=

REF.	LEV.	PARTS NO.	DESCRIPTION	QTY						I	R
				(A)	(B)	(C)	(D)	(E)	(F)		
1	1	119515-34801	DIPSTICK, LUB.OIL	1							
2	1	129100-35140	STUD	1							
3	1	119305-35151	FILTER ASSY, LUB.OIL	1							
4	1	119717-32060	O-RING, P15.0	1							
5	1	119515-35080	PIPE ASSY, LUB.OIL	1							
9	1	26106-060102	BOLT M 6X 10 PLATED	2							
10	1	114250-39450	SWITCH,(0.5KG)L.O.	1							
11	1	119717-39210	PIPE ASSY, HYDRAULIC	1							
12	1	129005-59830	BOLT ASSY, JOINT	2							
13	2	22190-080002	SEAL WASHER 8S	2							
14	2	23857-030000	JOINT BOLT 3	2							
15	1	22190-080002	SEAL WASHER 8S	2							
16	1	121520-34810	GUIDE, DIPSTICK	1							

Fig.9.COOLING WATER SYSTEM

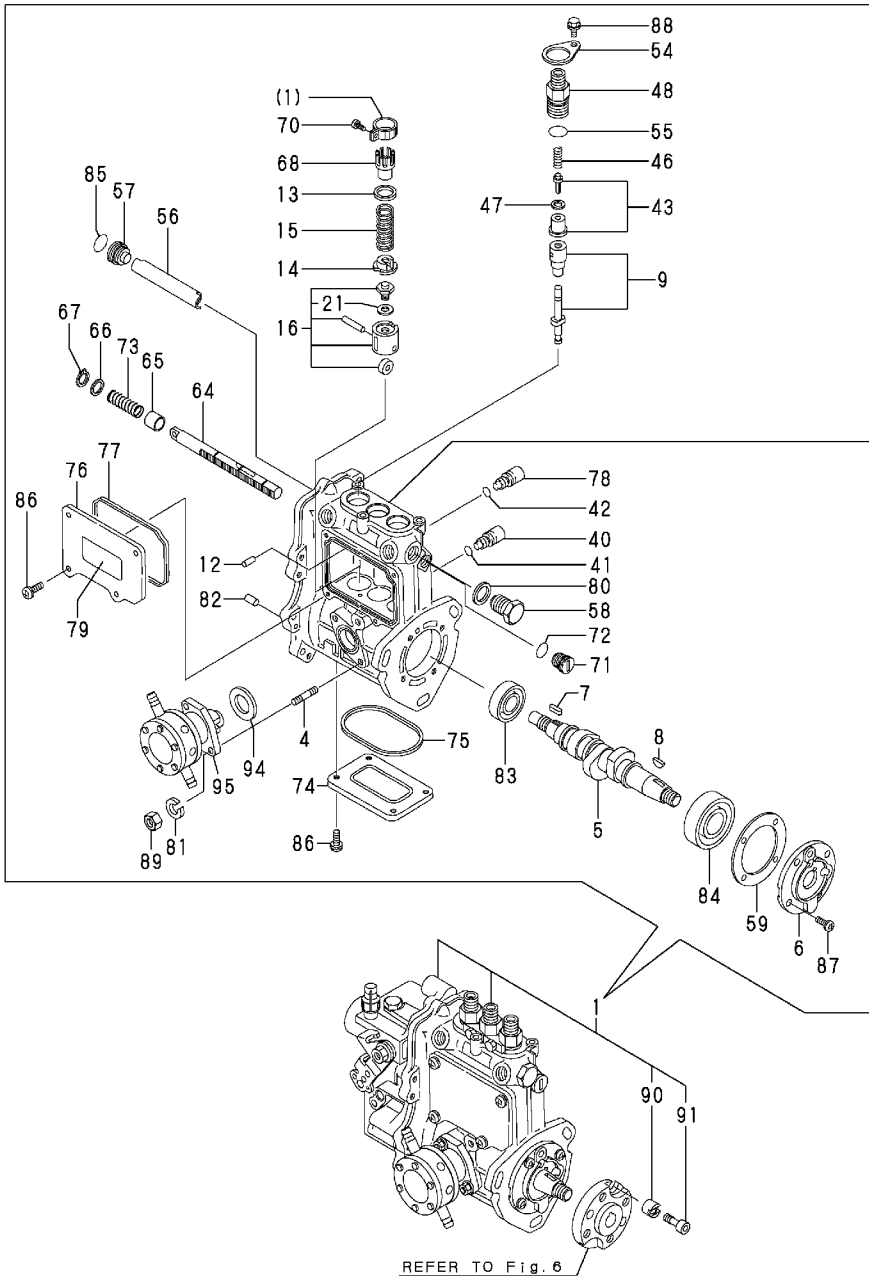


(A)=3TNV70-ASA (D)=
 (B)= (E)=
 (C)= (F)=

REF.	LEV.	PARTS NO.	DESCRIPTION	QTY						I	R
				(A)	(B)	(C)	(D)	(E)	(F)		
1	1	119540-42000	PUMP ASSY,WATER	1							
3	2	119515-42041	COVER	1							
4	2	119717-42031	GASKET	1							
9	2	26577-060122	SCREW M 6X 12	4							
10	2	27241-250000	PLUG 25	1							
11	2	119717-42320	O-RING	1							
12	2	129916-49740	PLUG, DRAIN R03	1							
13	1	119515-42020	GASKET, WATER PUMP	1							
14	1	23414-080000	GASKET 8, ROUND	1							
15	1	26106-080122	BOLT M 8X 12 PLATED	1							
16	1	26106-080502	BOLT M 8X 50 PLATED	3							
17	1	171056-49120	PLUG, DRAIN	1							
18	1	119717-42350	V-PULLEY, C.W.PUMP	1							
19	1	25132-003600	V-BELT	1							
20	1	119258-44740	FAN(D300,SUCTION)	1							
21	1	171353-44760	SPACER	1							
22	1	26106-060402	BOLT M 6X 40 PLATED	4							
23	1	129350-49530	COVER, THERMOSTAT	1							
24	1	119717-49800	THERMOSTAT, 71C	1							
25	1	26106-080202	BOLT M 8X 20 PLATED	2							
26	1	121450-42450	PLUG M16	1							
27	1	121250-44901	SWITCH, THERMO(110C	1							
28	1	124465-44950	GASKET 16	2							

Fig.10.FUEL INJECTION PUMP

(A)=3TNV70-ASA (D)=
(B)= (E)=
(C)= (F)=



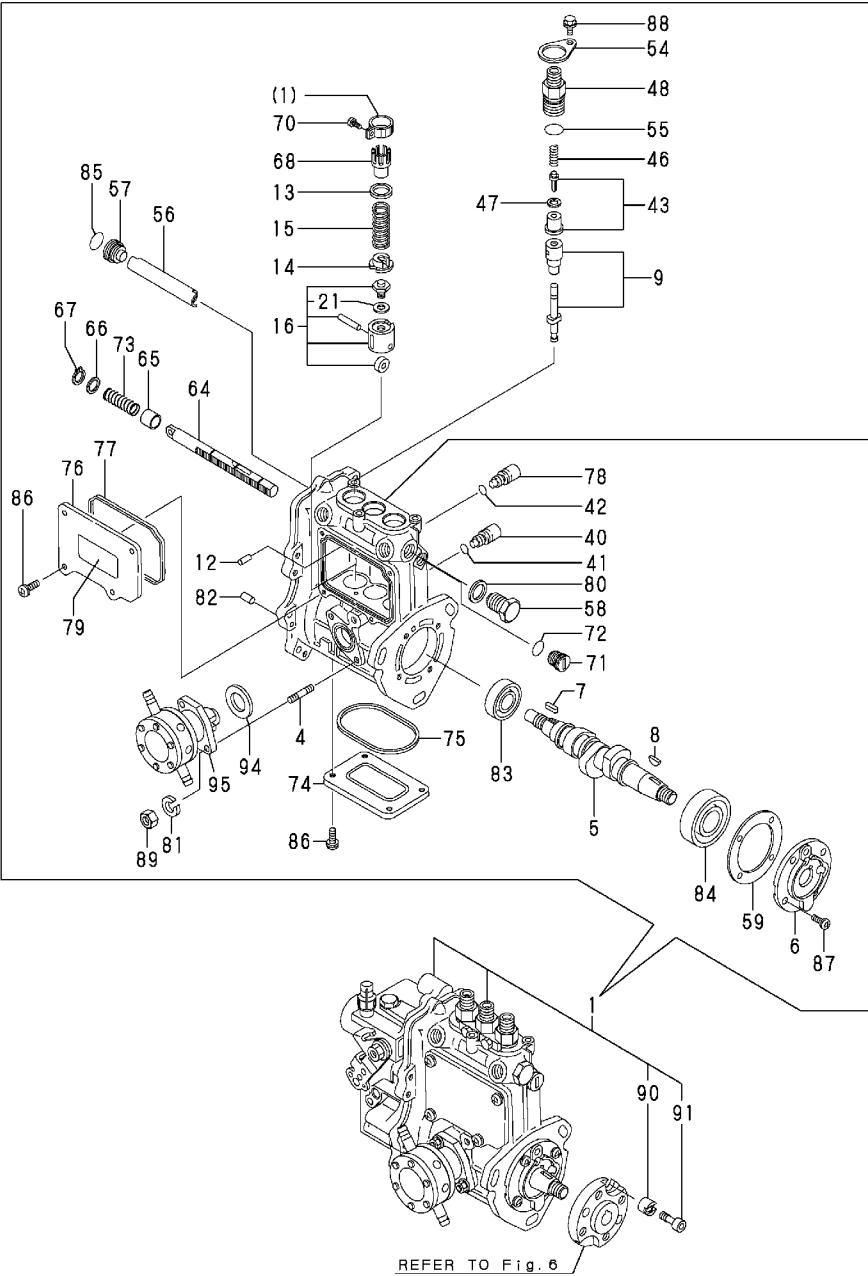
REF.	LEV.	PARTS NO.	DESCRIPTION	QTY						I	R
				(A)	(B)	(C)	(D)	(E)	(F)		
1	1	719515-51360	FIE ASSY, 3TNV70-ASA	1							1
4	2	129155-51020	STUD, FEED PUMP	2							
5	2	119717-51030	CAMSHAFT	1							
6	2	119717-51060	SUPPORT, BEARING	1							
7	2	119717-51070	PARALLEL PIN	1							
8	2	122710-51090	KEY	1							
9	2	119415-51100	PLUNGER ASSY	3							
12	2	129155-51140	PIN, BARREL LOCKING	3							
13	2	158600-51170	SEAT SPRING	3							
14	2	119717-51180	RETAINER, SPRING	3							
15	2	119717-51190	SPRING, PLUNGER	3							
16	2	119717-51200	TAPPET ASSY	3							
21	3	129155-51600	SHIM PACK	3							
40	2	158600-51270	STOPPER	3							
41	2	129155-51280	O-RING S6	3							
42	2	129155-51280	O-RING S6	1							
43	2	119717-51300	VALVE ASSY, DELIVERY	3							
46	2	119717-51330	SPRING, DELIVERY	3							
47	2	124550-51350	GASKET, DELIVERY	3							
48	2	158600-51440	VALVE ASSY, DELIVERY	3							
54	2	118400-51370	LOCKING	3							
55	2	24316-000150	O-RING 4D P15	3							
56	2	129155-51400	DEFLECTOR	1							
57	2	158600-51410	PLUG	1							
58	2	158600-51420	PLUG	1							
59	2	129155-51450	SHIM SET, ADJUSTING	1							
64	2	119717-51500	RACK, CONTROL	1							
65	2	129155-51521	BUSH, RACK	1							
66	2	129155-51530	SPACER, AUX. SPRING	1							
67	2	129155-51540	CIRCLIP	1							
68	2	129155-51550	PINION, CONTROL	3							
70	2	129100-51570	SCREW	3							
71	2	158600-51570	PLUG	1							
72	2	129155-51580	O-RING	1							
73	2	129155-51591	SPRING, RACK	1							
74	2	129155-51701	COVER	1							
75	2	119717-51710	PACKING	1							
76	2	119717-51750	COVER, BODY SIDE	1							
77	2	119717-51760	GASKET	1							
78	2	158600-51790	GUIDE, RACK	1							
79	2	129156-51910	LABEL, CAUTION	1							
80	2	22190-160002	SEAL WASHER 16S	1							
81	2	22217-060000	SPRING WASHER 6	2							
82	2	22351-050010	SPRING PIN 5X10	2							
83	2	24101-060034	BALL BEARING	1							
84	2	24101-063034	BALL BEARING	1							
85	2	119717-51420	O-RING	1							
86	2	26022-050122	SCREW M 5X 12	8							
87	2	26022-060162	SCREW M 6X 16	4							
88	2	26106-050102	BOLT M 5X 10 PLATED	3							
89	2	26716-060002	NUT 6	2							
90	2	119717-51480	COLLAR, FIC FIX	1							
91	2	119717-51490	BOLT, FIXATION	1							
94	2	129155-52051	GASKET	1							

++ CONTINUE ++

Remarks
(1)GOVERNOR ASSY(FIG.11)IS
INCORPORATED IN THIS FUEL
INJECTION PUMP ASSY(REF.NO.1).

Fig.10.FUEL INJECTION PUMP

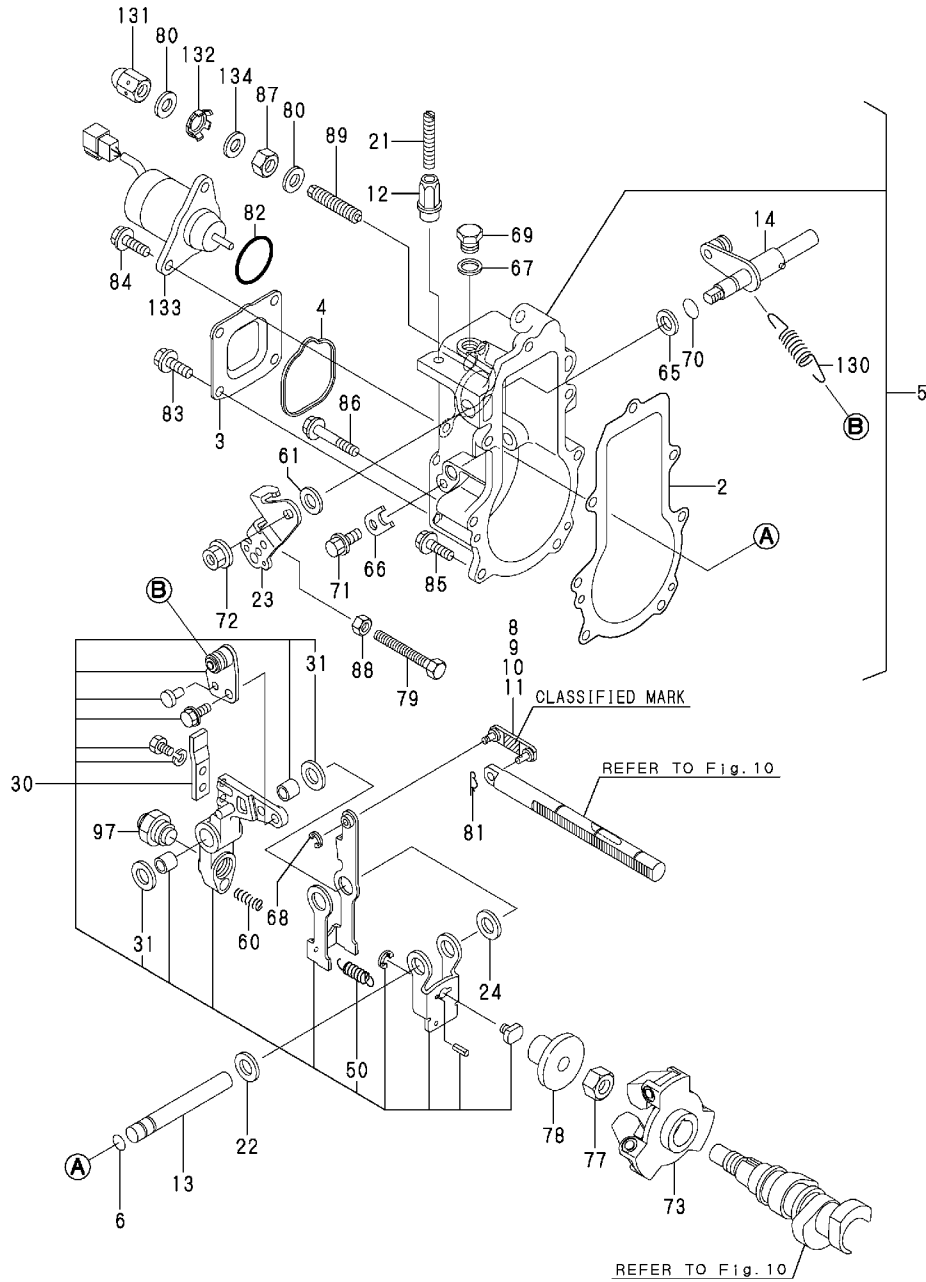
(A)=3TNV70-ASA (D)=
 (B)= (E)=
 (C)= (F)=



REF.	LEV.	PARTS NO.	DESCRIPTION	Q'TY						I	R
				(A)	(B)	(C)	(D)	(E)	(F)		
95	2	129100-52100	PUMP ASSY, FUEL FEED	1							

Remarks
 (1)GOVERNOR ASSY(FIG.11)IS
 INCORPORATED IN THIS FUEL
 INJECTION PUMP ASSY(REF.NO.1).

Fig.11.GOVERNOR

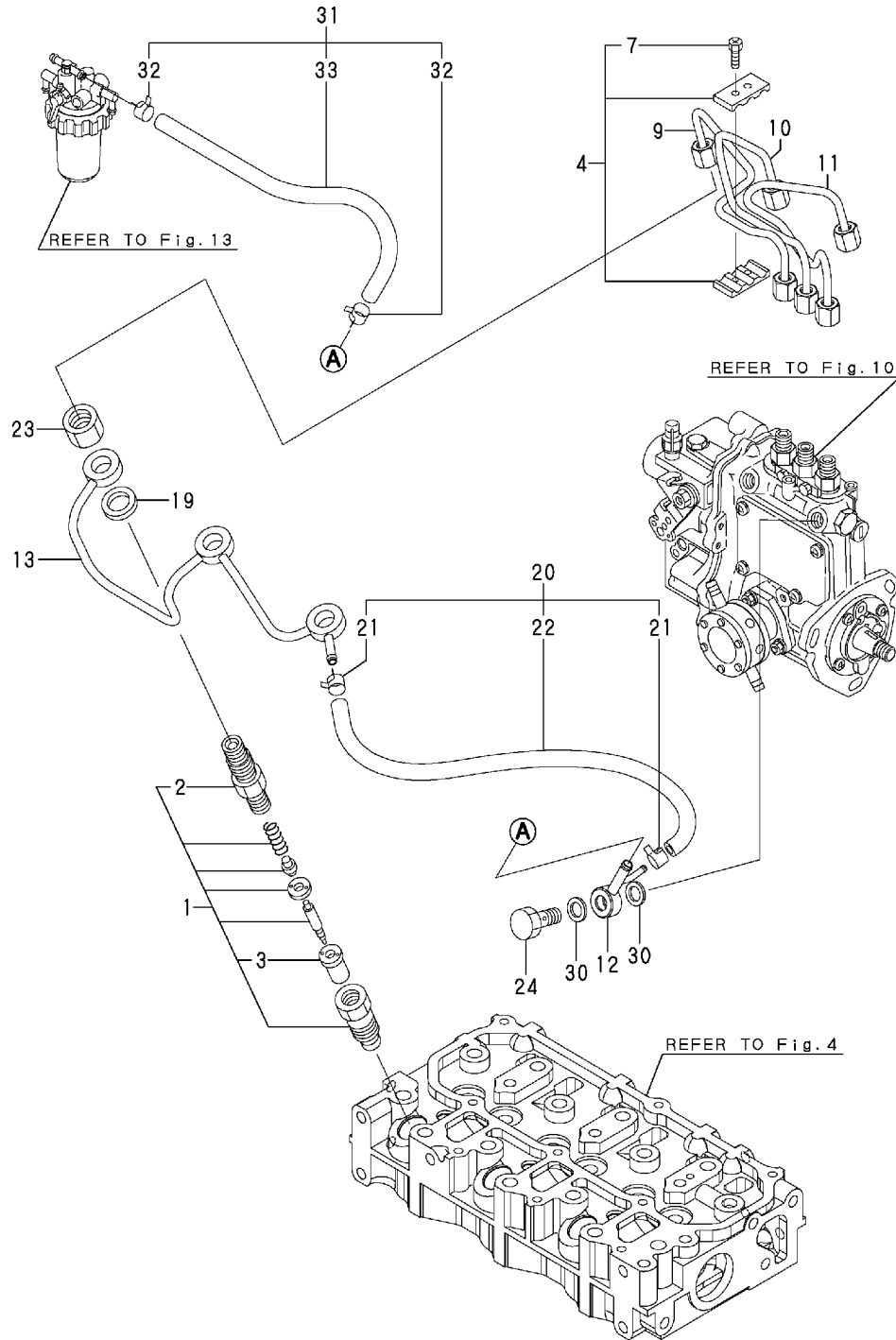


Remarks
 (1)SELECTION USE PARTS:CERTAIN THE CLASSIFICATION MARK,THEN PLACE YOUR ORDER.(REFER TO ILLUSTRATION)

(A)=3TNV70-ASA (D)=
 (B)= (E)=
 (C)= (F)=

REF.	LEV.	PARTS NO.	DESCRIPTION	QTY						I	R
				(A)	(B)	(C)	(D)	(E)	(F)		
2	2	119717-61050	GASKET, CASE	1							
3	2	119717-61060	CASE, GOVERNOR	1							
4	2	119717-61070	GASKET, COVER	1							
5	2	119717-61100	CASE ASSY, GOVERNOR	1							
6	3	129155-51280	O-RING S6	1							
8	3	119717-61120	LINK, L=29.3	1							1
9	3	119717-61130	LINK, L=29.8	1							1
10	3	119717-61140	LINK, L=28.8	1							1
11	3	119717-61150	LINK, L=303	1							1
12	3	129209-61370	NUT M6	1							
13	3	129052-61390	SHAFT, GOV. LEVER	1							
14	3	119717-61400	SHAFT ASSY, CONTROL	1							
21	3	129155-61450	BOLT, REVOL. LIMIT	1							
22	3	129156-61460	SHIM T=0.6	1							
23	3	119515-61440	LEVER, CONTROL	1							
24	3	129155-61480	SPACER ASSY	1							
30	3	119717-61500	LEVER ASSY, GOVERNOR	1							
31	4	174307-51700	SHIM SET	2							
50	4	129486-61540	SPRING, SET	1							
60	3	129100-61650	SPRING, FUEL CONTROL	1							
61	3	158552-61700	SHIM ASSY	1							
65	3	158552-61710	SHIM T=1.0	1							
66	3	119660-61901	RETAINER, SHAFT	1							
67	3	22190-100002	SEAL WASHER 10S	1							
68	3	22272-000030	CIRCLIP E- 3	1							
69	3	23887-100002	PLUG 10	1							
70	3	24341-000070	O-RING 1A S-7.0	1							
71	3	26106-060102	BOLT M 6X 10 PLATED	1							
72	3	26366-080002	NUT M 8	1							
73	2	119717-61200	WEIGHT ASSY	1							
77	2	119660-61300	NUT, GOVERNOR WEIGHT	1							
78	2	129155-61341	SLEEVE	1							
79	2	129155-61460	BOLT, IDLE LIMIT	1							
80	2	22190-120002	SEAL WASHER 12	2							
81	2	22372-040000	SNAP PIN 4	1							
82	2	24341-000280	O-RING 1A S-28.0	1							
83	2	26106-060102	BOLT M 6X 10 PLATED	4							
84	2	26106-060142	BOLT M 6X 14 PLATED	2							
85	2	26106-060202	BOLT M 6X 20 PLATED	4							
86	2	26106-060452	BOLT M 6X 45 PLATED	3							
87	2	26736-120002	NUT M12	1							
88	2	26756-060002	LOCK NUT 6	1							
89	2	158601-61700	LIMITER ASSY, FUEL	1							
97	2	119515-61560	ANGLEICH ASSY	1							
130	2	129573-61700	SPRING, GOVERNOR	1							
131	2	129209-61930	CAP NUT	1							
132	2	129209-61970	PLATE	1							
133	2	119653-77950	SOLENOID, STOP	1							
134	2	23414-120016	GASKET 12	1							

Fig. 12. FUEL INJECTION VALVE

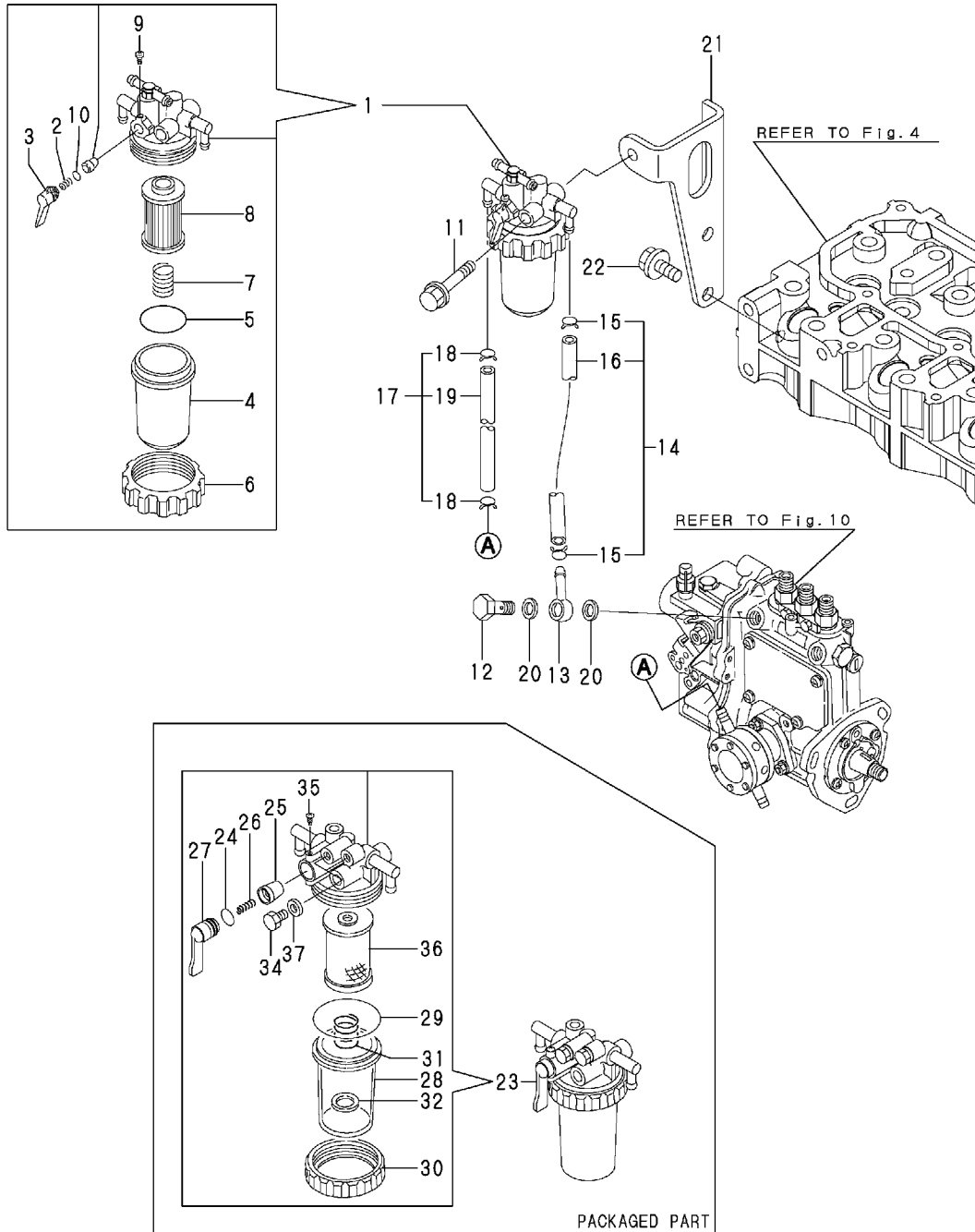


(A)=3TNV70-ASA (D)=
 (B)= (E)=
 (C)= (F)=

REF.	LEV.	PARTS NO.	DESCRIPTION	QTY						I	R
				(A)	(B)	(C)	(D)	(E)	(F)		
1	1	119515-53001	VALVE ASSY, INJECTION	3							
2	2	118200-53010	HOLDER, NOZZLE	3							
3	2	119515-53010	NOZZLE ASSY	3							
4	1	129150-59120	RETAINER, INJ. PIPE	1							
7	2	129150-59131	BOLT M4X14, HEX. SCKT.	2							
9	1	119515-59810	PIPE, FUEL INJECTION	1							
10	1	119515-59820	PIPE, FUEL INJECTION	1							
11	1	119515-59830	PIPE, FUEL INJECTION	1							
12	1	119840-59570	JOINT	1							
13	1	119515-59540	PIPE ASSY, RETURN	1							
19	1	129901-59560	GASKET, RETURN	3							
20	1	119515-59570	PIPE, FUEL RETURN	1							
21	2	124066-59100	CLAMP 8	2							
22	2	105225-59240	PIPE, FUEL OIL	1							
23	1	119620-59700	NUT	3							
24	1	119813-59950	VALVE ASSY, CHECK	1							
30	1	22190-120002	SEAL WASHER 12	2							
31	1	129210-59150	PIPE ASSY, FUEL OIL	1							
32	2	124766-59050	CLAMP 12	2							
33	2	105025-59530	PIPE, FUEL (D13XL400)	1							

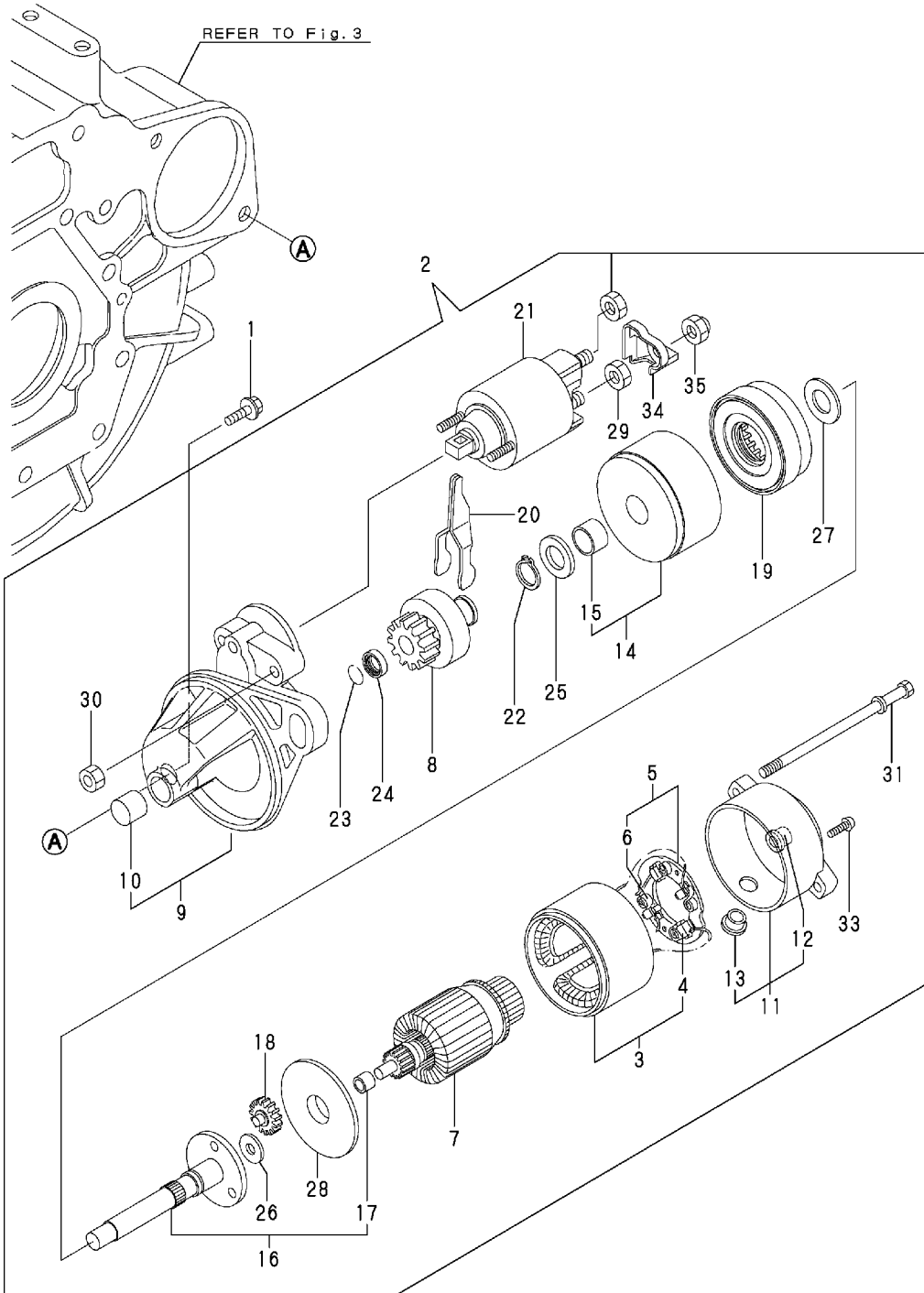
(A)=3TNV70-ASA (D)=
 (B)= (E)=
 (C)= (F)=

Fig.13.FUEL PIPE



REF.	LEV.	PARTS NO.	DESCRIPTION	QTY						I	R
				(A)	(B)	(C)	(D)	(E)	(F)		
1	1	119833-55620	STRAINER ASSY, FUEL	1							
2	2	104200-55330	SPRING, TAPER VALVE	1							
3	2	119810-55340	LEVER	1							
4	2	121254-55510	CUP, STRAINER	1							
5	2	102103-55520	O-RING	1							
6	2	110250-55610	RING, RETAINING	1							
7	2	121250-55620	SPRING	1							
8	2	119810-55650	ELEMENT	1							
9	2	104200-55750	SCREW M 4	1							
10	2	24311-240100	O-RING 1A P-10A	1							
11	1	26014-080702	BOLT W/WASHER M8X 70	1							
12	1	103854-39140	BOLT, PIPE JOINT	1							
13	1	101304-59020	JOINT 12, PIPE	1							
14	1	129210-59080	PIPE ASSY, FUEL OIL	1							
15	2	124766-59050	CLAMP 12	2							
16	2	129136-59110	PIPE, FUEL OIL	1							
17	1	129210-59150	PIPE ASSY, FUEL OIL	1							
18	2	124766-59050	CLAMP 12	2							
19	2	105025-59530	PIPE, FUEL (D13XL400)	1							
20	1	22190-120002	SEAL WASHER 12	2							
21	1	119717-55650	BRACKET, FO FILTER	1							
22	1	26106-080142	BOLT M 8X 14 PLATED	2							
23	1	129335-55700	SEPARATOR, WATER	1							
24	2	24311-240100	O-RING 1A P-10A	1							
25	2	104200-55321	VALVE, TAPER	1							
26	2	104200-55330	SPRING, TAPER VALVE	1							
27	2	104200-55341	HANDLE, COCK	1							
28	2	124064-55510	BOWL, FUEL STRAINER	1							
29	2	102103-55520	O-RING	1							
30	2	110250-55610	RING, RETAINING	1							
31	2	121257-55720	SPRING, SCREEN	1							
32	2	121257-55731	FLOAT	1							
34	2	101720-55750	PLUG 6	2							
35	2	104200-55750	SCREW M 4	1							
36	2	171081-55910	SCREEN	1							
37	2	23418-060000	GASKET 6, NYLON	2							

Fig. 14. STARTING MOTOR

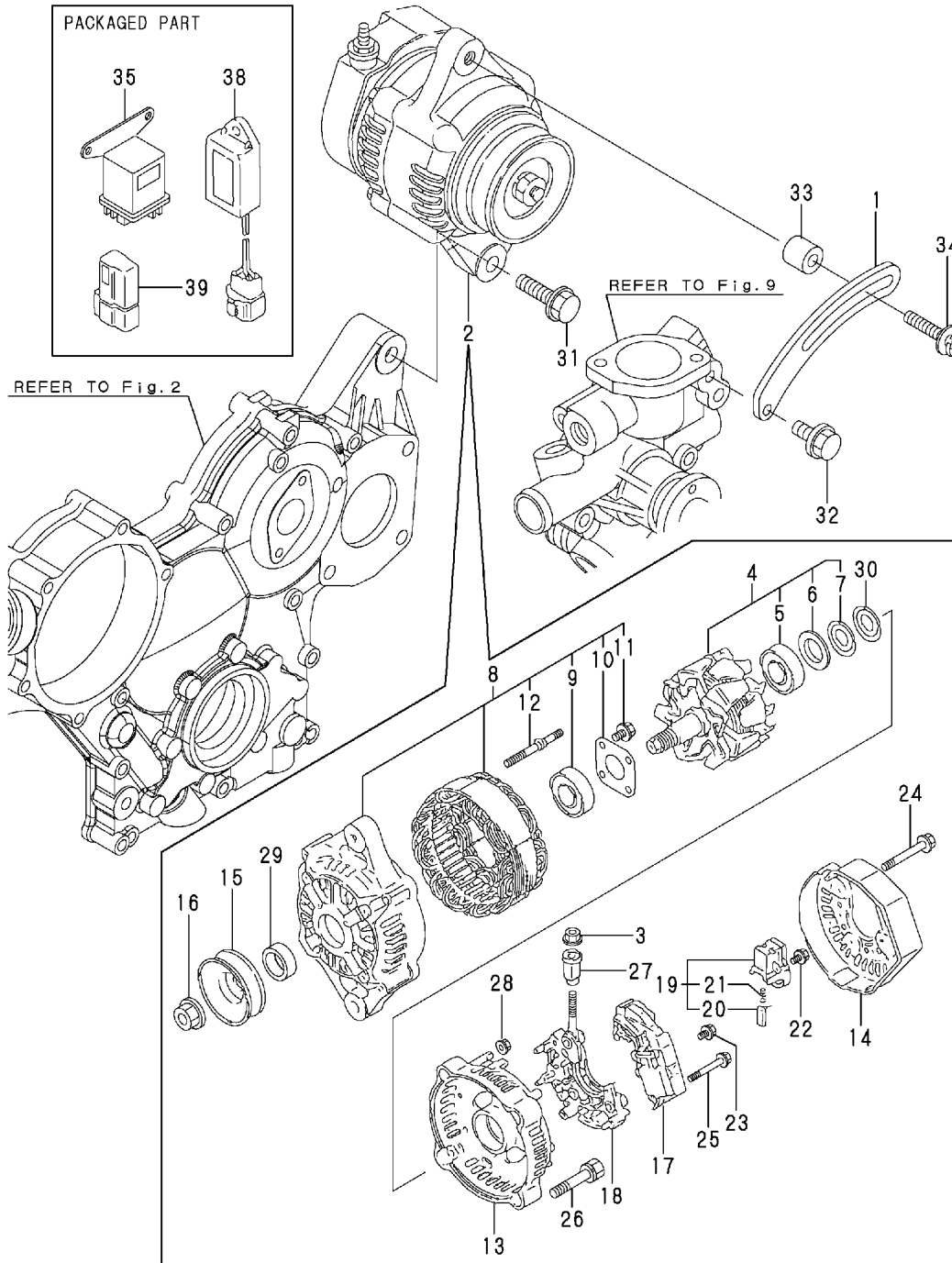


(A)=3TNV70-ASA (D)=
 (B)= (E)=
 (C)= (F)=

REF.	LEV.	PARTS NO.	DESCRIPTION	QTY						I	R
				(A)	(B)	(C)	(D)	(E)	(F)		
1	1	26106-100252	BOLT M10X 25 PLATED	2							
2	1	119717-77010	STARTER, P1.1	1							
3	2	X0281007750	COIL ASSY, FIELD	1							
4	3	X0280996180	STARTER KIT	2							
5	2	X0285105190	HOLDER ASSY.	1							
6	3	X0285205030	SPRING	4							
7	2	X0282005991	ARMATURE ASSY	1							
8	2	X0283006960	CLUTCH SUB-ASSY.	1							
9	2	X4284001590	HOUSING ASSY, STARTER	1							
10	3	X9491050100	NEEDLE BEARING	1							
11	2	X0285007030	FRAME ASSY.	1							
12	3	X9491040990	BEARING	1							
13	3	X0280626010	COVER	1							
14	2	X0284105040	BEARING SUB-ASSY.	1							
15	3	X9491034330	BEARING	1							
16	2	X0286105010	SHAFT SUB-ASSY.	1							
17	3	X9491034320	BEARING	1							
18	2	X0286305010	GEAR	3							
19	2	X0286355010	GEAR	1							
20	2	X0287405140	LEVER	1							
21	2	X0534007800	SWITCH, EMERGENCY	1							
22	2	X9055715000	RING	1							
23	2	X9490721360	RING	1							
24	2	X0280210331	NUT	1							
25	2	X9490138110	WASHER	1							
26	2	X9490138090	WASHER	1							
27	2	X9490138100	WASHER	1							
28	2	X0284525010	PLATE	1							
29	2	X9490562360	NUT	1							
30	2	X9490560750	NUT	2							
31	2	X9490423420	BOLT, THROUGH	2							
33	2	X9490065670	SCREW M 4X 6 (BS)	2							
34	2	X0280335350	COVER SET, TERMINAL	1							
35	2	X1289510130	NUT	1							

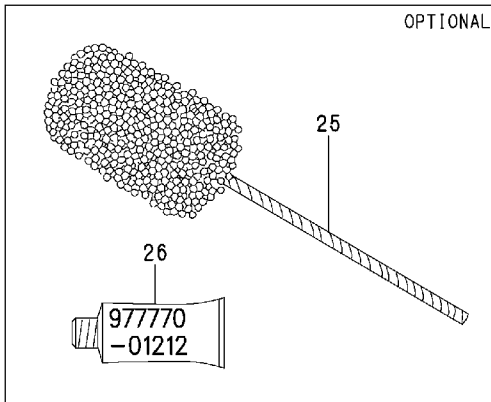
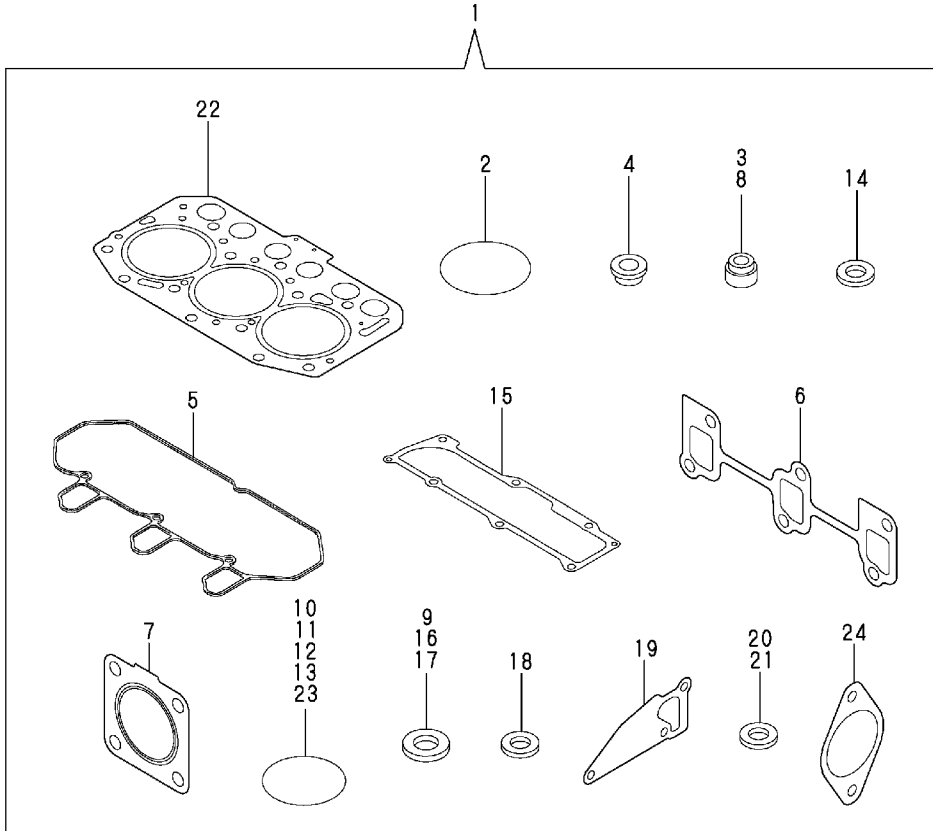
Fig. 15.GENERATOR

(A)=3TNV70-ASA (D)=
 (B)= (E)=
 (C)= (F)=



REF.	LEV.	PARTS NO.	DESCRIPTION	QTY						I	R
				(A)	(B)	(C)	(D)	(E)	(F)		
1	1	119515-77330	ADJUSTER, BELT	1							
2	1	129423-77200	GENERATOR	1							
3	2	X9490561001	NUT	1							
4	2	119620-77380	ROTOR ASSY	1							
5	3	119620-79240	BALL BEARING	1							
6	3	119620-79250	COVER, BEARING	1							
7	3	119620-79360	THRUST WASHER	1							
8	2	119620-77421	FLAME ASSY, DRIVE	1							
9	3	119620-79200	BALL BEARING	1							
10	3	119620-79210	PLATE	1							
11	3	119620-79220	SCREW	4							
12	3	119620-79230	BOLT, STUD	2							
13	2	119620-77440	FLAME ASSY, REAR	1							
14	2	129423-77450	COVER	1							
15	2	119620-77461	PULLEY	1							
16	2	119620-77471	NUT	1							
17	2	129423-77710	REGULATOR ASSY	1							
18	2	119620-79260	HOLDER	1							
19	2	119620-79270	HOLDER, BRUSH	1							
20	3	119620-77480	BRUSH ASSY	2							
21	3	119620-79280	SPRING	2							
22	2	119620-79290	SCREW	1							
23	2	119620-79300	SCREW	1							
24	2	119620-79310	BOLT	3							
25	2	119620-79320	SCREW W/WASHER	2							
26	2	119620-79330	BOLT	2							
27	2	119620-79340	INSULATION BUSH	1							
28	2	119620-79350	NUT	2							
29	2	119620-77490	COLLAR	1							
30	2	119620-79360	THRUST WASHER	1							
31	1	26106-100452	BOLT M10X 45 PLATED	1							
32	1	26106-080202	BOLT M 8X 20 PLATED	1							
33	1	124732-77340	SPACER	1							
34	1	26014-080452	BOLT M 8X 45	1							
35	1	119650-77910	RELAY, GROW	1							
38	1	129211-77920	TIMER	1							
39	1	119643-66900	DIODE	1							

Fig.16.GASKET SET & TOOLS



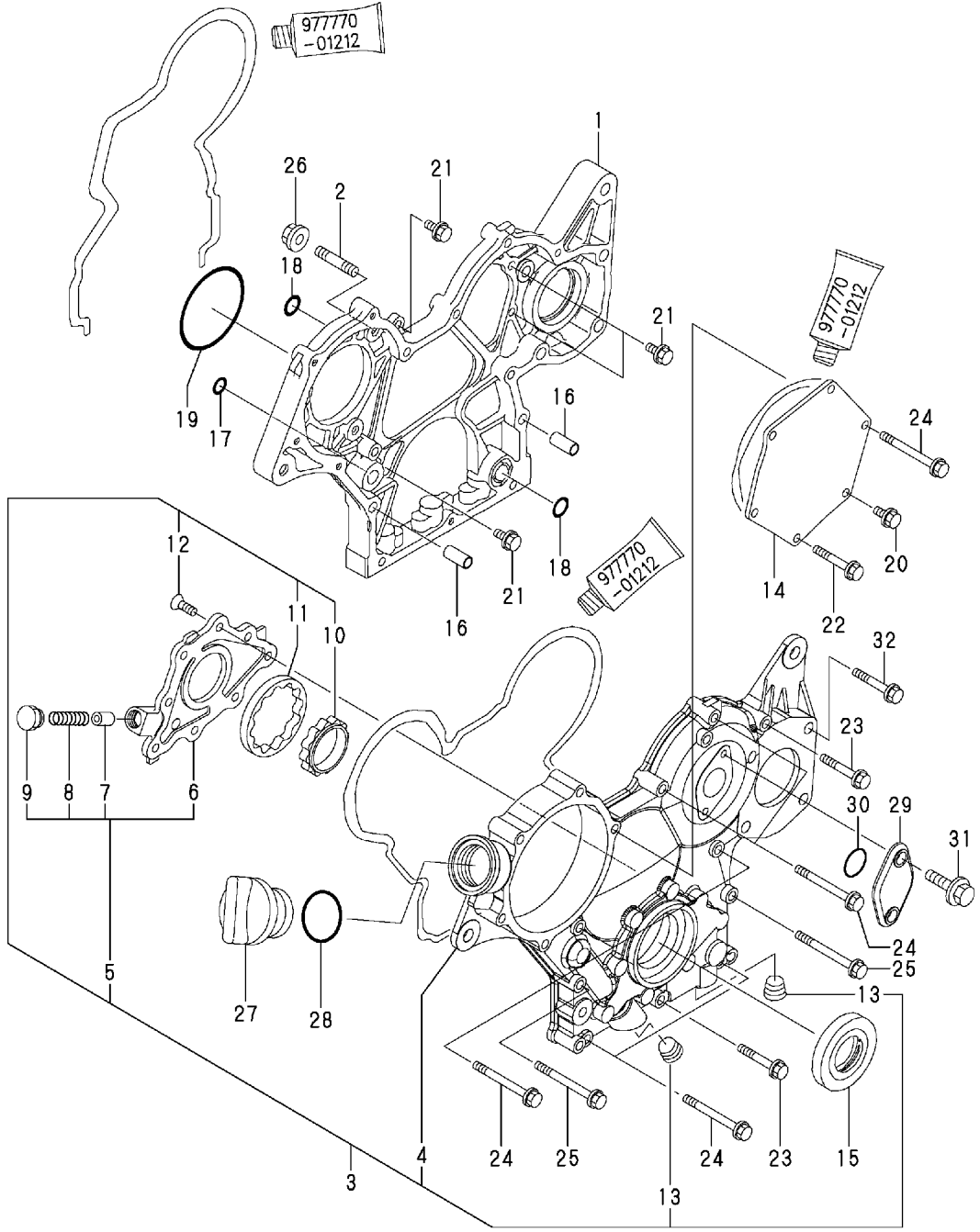
Remarks
(1)OPTIONAL

(A)=3TNV70-ASA (D)=
(B)= (E)=
(C)= (F)=

REF.	LEV.	PARTS NO.	DESCRIPTION	QTY						I	R
				(A)	(B)	(C)	(D)	(E)	(F)		
1	1	719515-92600	GASKET SET(NON-ASB.)	1							1
2	2	121850-51960	O-RING, F.I.PUMP	1							
3	2	119717-11340	SEAL, VALVE STEM	3							
4	2	129901-11450	PROTECTOR, NOZZLE	3							
5	2	119515-11310	GASKET, BONNET	1							
6	2	119717-13110	GASKET, MANIFOLD	1							
7	2	119515-13200	GASKET, SILENCER	1							
8	2	119717-11350	SEAL, VALVE STEM	3							
9	2	22190-080002	SEAL WASHER 8S	4							
10	2	24311-000320	O-RING 1A P-32.0	2							
11	2	119717-32060	O-RING, P15.0	1							
12	2	119624-32040	O-RING P 12.0	1							
13	2	119717-32050	O-RING, P17.0	3							
14	2	119600-11460	GASKET, NOZZLE	6							
15	2	119515-11330	PLATE, BAFFLE	1							
16	2	22190-160002	SEAL WASHER 16S	1							
17	2	22190-120002	SEAL WASHER 12	4							
18	2	129901-59560	GASKET, RETURN	3							
19	2	119515-42020	GASKET, WATER PUMP	1							
20	2	23414-080000	GASKET 8, ROUND	1							
21	2	124465-44950	GASKET 16	2							
22	2	119515-01330	GASKET, CYL.HEAD	1							
23	2	24341-000240	O-RING 1A S-24.0	1							
24	2	119742-26080	GASKET, BRACKET	1							
25	1	129400-92420	FLEX HORN	1							1
26	1	977770-01212	GASKET, LIQUID	1							1

FIG.2.GEAR HOUSING

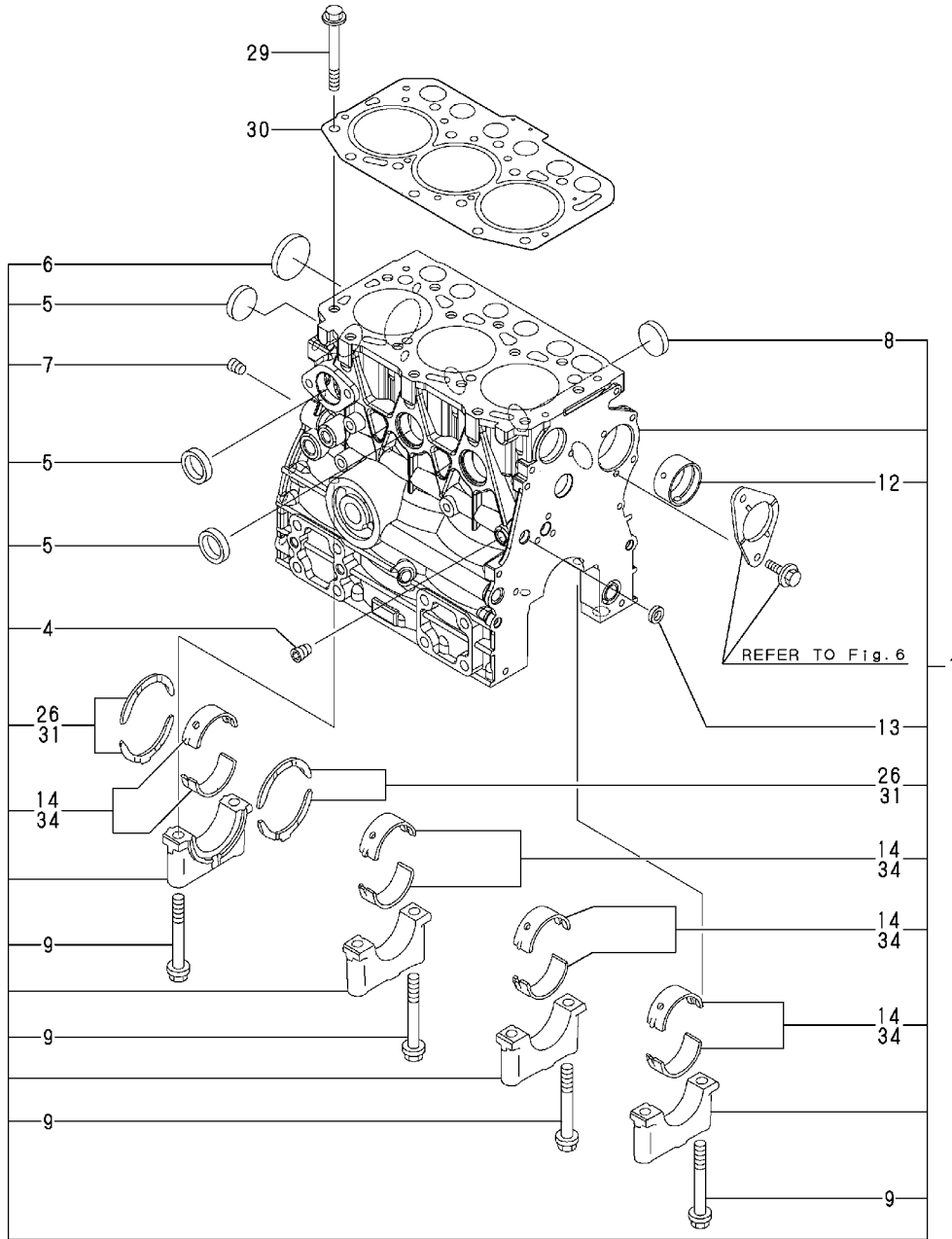
(A)=3TNV70-ASA (D)=
 (B)= (E)=
 (C)= (F)=



REF.	LEV.	PARTS NO.	DESCRIPTION	QTY						I	R
				(A)	(B)	(C)	(D)	(E)	(F)		
1	1	119742-01500	CASE, GEAR	1							
2	1	119717-01570	BOLT, STUD M8	3							
3	1	119740-01590	COVER ASSY_GEAR CASE	1							
4	2	119740-01521	COVER, GEAR CASE	1							
5	2	119717-32100	COVER ASSY, PUMP	1							
6	3	119717-32080	COVER, LUB.OIL PUMP	1							
7	3	129900-32130	VALVE, RELIEF	1							
8	3	129001-32320	SPRING	1							
9	3	129001-32330	PLUG	1							
10	2	119717-32110	ROTOR, INNER	1							
11	2	119717-32120	ROTOR, OUTER	1							
12	2	119802-32130	SCREW, M6X16	8							
13	2	23876-030000	PLUG PT3/8,SCREW	2							
14	1	119717-01750	COVER, PUMP TIMING	1							
15	1	119620-01800	SEAL, OIL	1							
16	1	119660-01911	PIPE, KNOCK	4							
17	1	119624-32040	O-RING P 12.0	1							
18	1	119717-32050	O-RING, P17.0	3							
19	1	121850-51960	O-RING, F.I.PUMP	1							
20	1	26106-060122	BOLT M 6X 12 PLATED	1							
21	1	26106-060162	BOLT M 6X 16 PLATED	4							
22	1	26106-060402	BOLT M 6X 40 PLATED	4							
23	1	26106-060402	BOLT M 6X 40 PLATED	2							
24	1	26106-060602	BOLT M 6X 60 PLATED	7							
25	1	26106-060652	BOLT M 6X 65 PLATED	2							
26	1	26306-080002	NUT	3							
27	1	124160-01751	COVER,FILLER	1							
28	1	24311-000320	O-RING 1A P-32.0	1							
29	1	121023-01550	COVER, BLIND	1							
30	1	24341-000240	O-RING 1A S-24.0	1							
31	1	26106-060162	BOLT M 6X 16 PLATED	2							
32	1	26106-080352	BOLT M 8X 35 PLATED	3							

Fig.1.CYLINDER BLOCK

(A)=3TNV70-ASA (D)=
 (B)= (E)=
 (C)= (F)=



REF.	LEV.	PARTS NO.	DESCRIPTION	QTY						I	R
				(A)	(B)	(C)	(D)	(E)	(F)		
1	1	719515-01560	BLOCK ASSY, CYLINDER	1							
4	3	124060-01050	PLUG PT1/8	1							
5	3	105311-01090	PLUG 30 (SUS)	4							
6	3	119623-01250	PLUG 45	1							
7	3	124160-01910	PLUG PT1/4	1							
8	3	119285-01990	PLUG 25	3							
9	3	119620-02020	BOLT	8							
12	3	119717-02410	BUSH, CAMSHAFT	1							
13	3	27241-120000	PLUG 12	1							
14	2	719717-02900	MAIN BEARING SET	4							2
26	2	119717-02930	BEARING, THRUST	2							
29	1	119515-01200	BOLT, CYLINDER HEAD	14							
30	1	119515-01330	GASKET, CYL HEAD	1							
31	1	119810-02940	BEARING,THRUST .25OS	2							1
34	1	719717-02910	MAIN METAL US=0.25	4							3

Remarks
 (1)OVER SIZED(O.S.=0.25)PART.
 (2)REPAIR PART.
 (3)UNDER SIZED(U.S.=0.25)PART.