

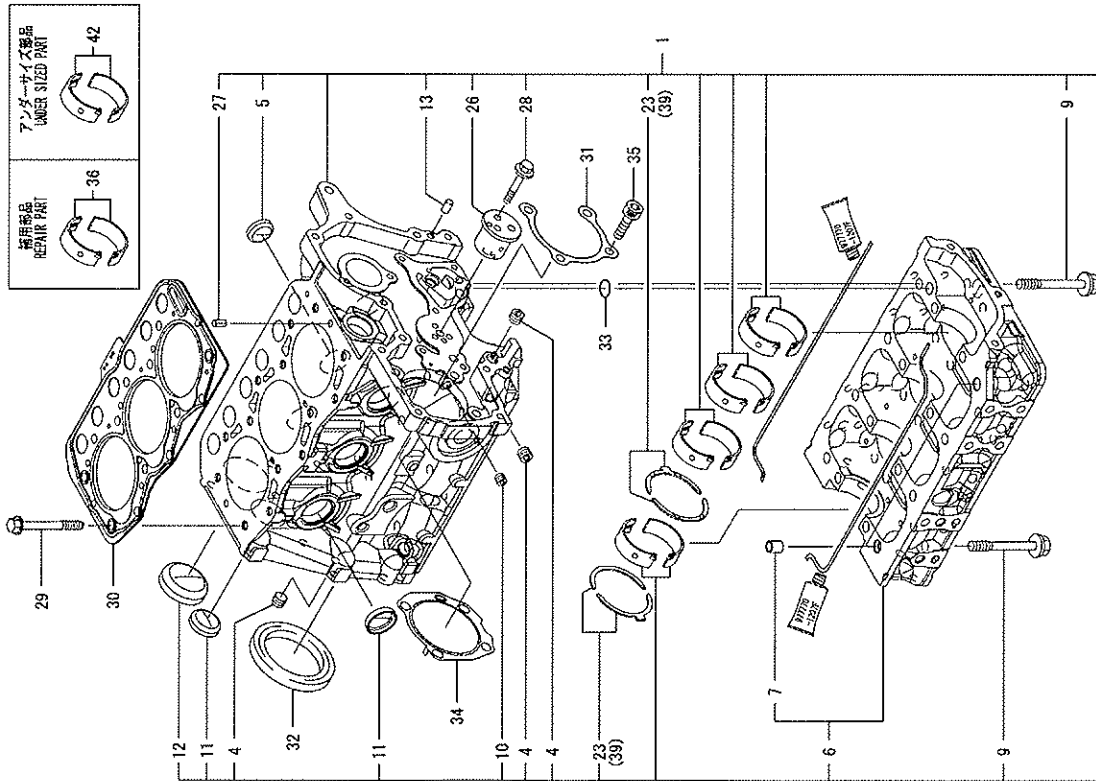
Fig.1. CYLINDER BLOCK

0CW10-G36000 1. CYLINDER BLOCK

(A)=3TNM68-ASA
 (B)=3TNM68-ASA2
 (C)=3TNM68-ASA3

(D)=
 (E)=
 (F)=

REF.	LEV.	PARTS NO.	DESCRIPTION	(A)	(B)	(C)	(D)	(E)	(F)	QTY	I	R
1	1	119127-01560	BLOCK ASSY, CYLINDER	1	1	1				1		
4	2	124060-01050	PLUG PT 1/8	3	3	3				3		
5	2	119125-01970	PLUG, 25	3	3	3				3		
6	2	119125-02000	LADDER FRAME	1	1	1				1		
7	3	119125-01960	PIPE, KNOCK	2	2	2				2		
9	2	119125-02061	BOLT METALCAP	16	16	16				16		
10	2	23876-005000	PLUG PT 1/16, SCREW	1	1	1				1		
11	2	27241-300000	PLUG 30	4	4	4				4		
12	2	27241-450000	PLUG 45	1	1	1				1		
13	2	119620-01620	PARALLEL PIN 6X10	2	2	2				2		
23	2	119125-02930	METAL ASSY, THRUST	2	2	2				2		
26	2	119125-25050	SHAFT, IDLE GEAR	1	1	1				1		
27	2	22351-060012	SPRING PIN 6X12	2	2	2				2		
28	2	26106-060402	BOLT M 6X 40 PLATED	3	3	3				3		
29	1	119266-01200	STUD, CYL. HEAD	14	14	14				14		
30	1	119125-01330	GASKET, CYL. HEAD	1	1	1				1		
31	1	119125-01790	GASKET, FOP BOLT	1	1	1				1		
32	1	124085-02220	SEAL, OIL	1	1	1				1		
32-1	1	119734-02220	SEAL, OIL	1	1	1				1		N
		(A)=2008.10. (B)=2008.10. (C)=2008.10.										
33	1	129900-32040	O-RING P14	1	1	1				1		
34	1	119125-51800	GASKET, PUMP	1	1	1				1		
35	1	26450-080252	BOLT M 8X 25	4	4	4				4		
36	1	119125-02900	MAIN BEARING SET	4	4	4				4		1
39	1	119125-02940	BEARING, THRUST .250S	2	2	2				2		2
42	1	119125-02910	MAIN METAL US=0.25	4	4	4				4		3



Remarks
 (1) REPAIR PART.
 (2) OVER-SIZED (O.S=0.25) PART.
 (3) UNDER-SIZED (U.S=0.25) PART.

Fig.2. GEAR HOUSING

0CW10-G36000 2. GEAR HOUSING

(A)=3TNM68-ASA
 (B)=3TNM68-ASA2
 (C)=3TNM68-ASA3

(D)=
 (E)=
 (F)=

REF.	LEV.	PARTS NO.	DESCRIPTION	(A)	(B)	(C)	(D)	(E)	(F)	I	R
1	1	119125-01500	COVER, GEAR CASE	1	1	1					
1-1	1	119125-01540 (A=2008.12.) (B=2008.12.) (C=2008.12.)	CASE GEAR, TACHO	1	1	1					N
2	1	119125-01750	COVER, PUMP TIMING	1	1	1					
3	1	119717-01800	SEAL, OIL	1	1	1					
4	1	26106-080352	BOLT M 8X 35 PLATED	8	8	8					
5	1	26106-080452	BOLT M 8X 45 PLATED	5	5	5					
6	1	106760-01770	CAP, L.O.SUPPLY	1	1	1					
7	1	24311-000180	O-RING 1A P-18.0	1	1	1					
8	1	121023-01551 (A=2008.12.) (B=2008.12.) (C=2008.12.)	COVER, TACHOMETER	1	1	1					W
9	1	24341-000240 (B=2008.12.) (C=2008.12.)	O-RING 1A S-24.0	1	1	1					W
10	1	26106-060162 (A=2008.12.) (B=2008.12.) (C=2008.12.)	BOLT M 6X 16 PLATED	2	2	2					W

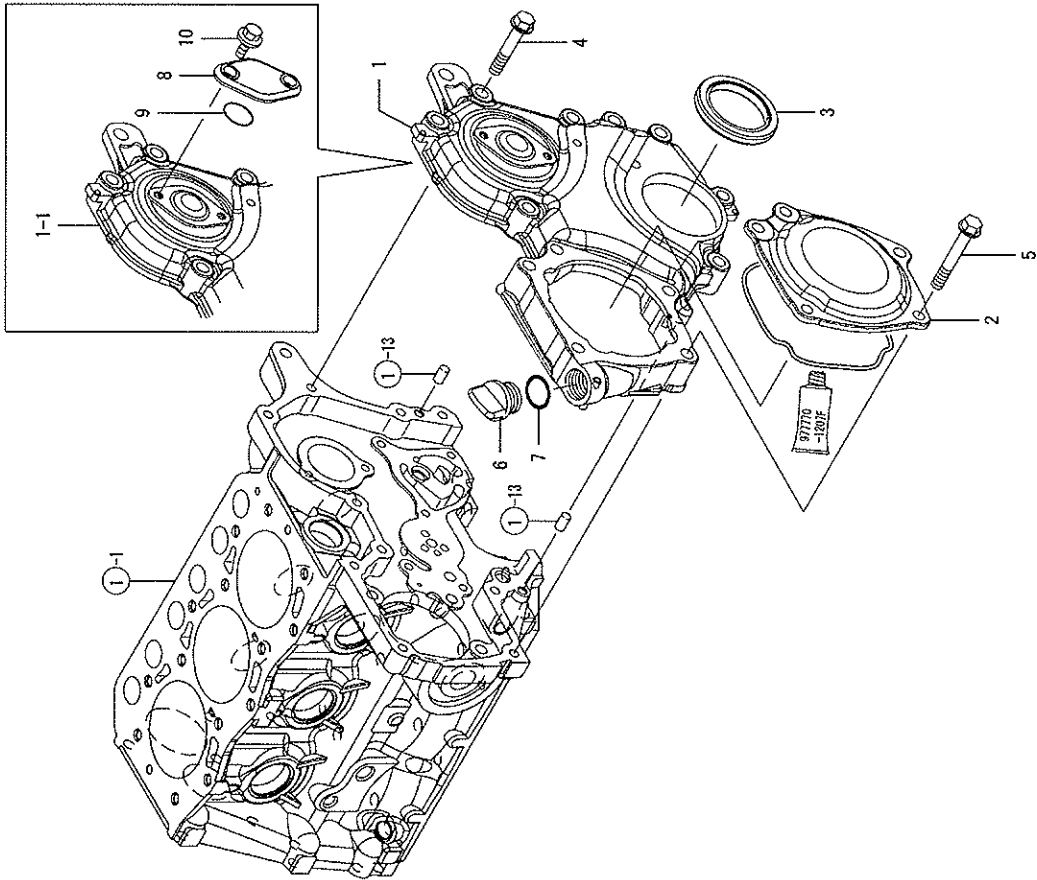
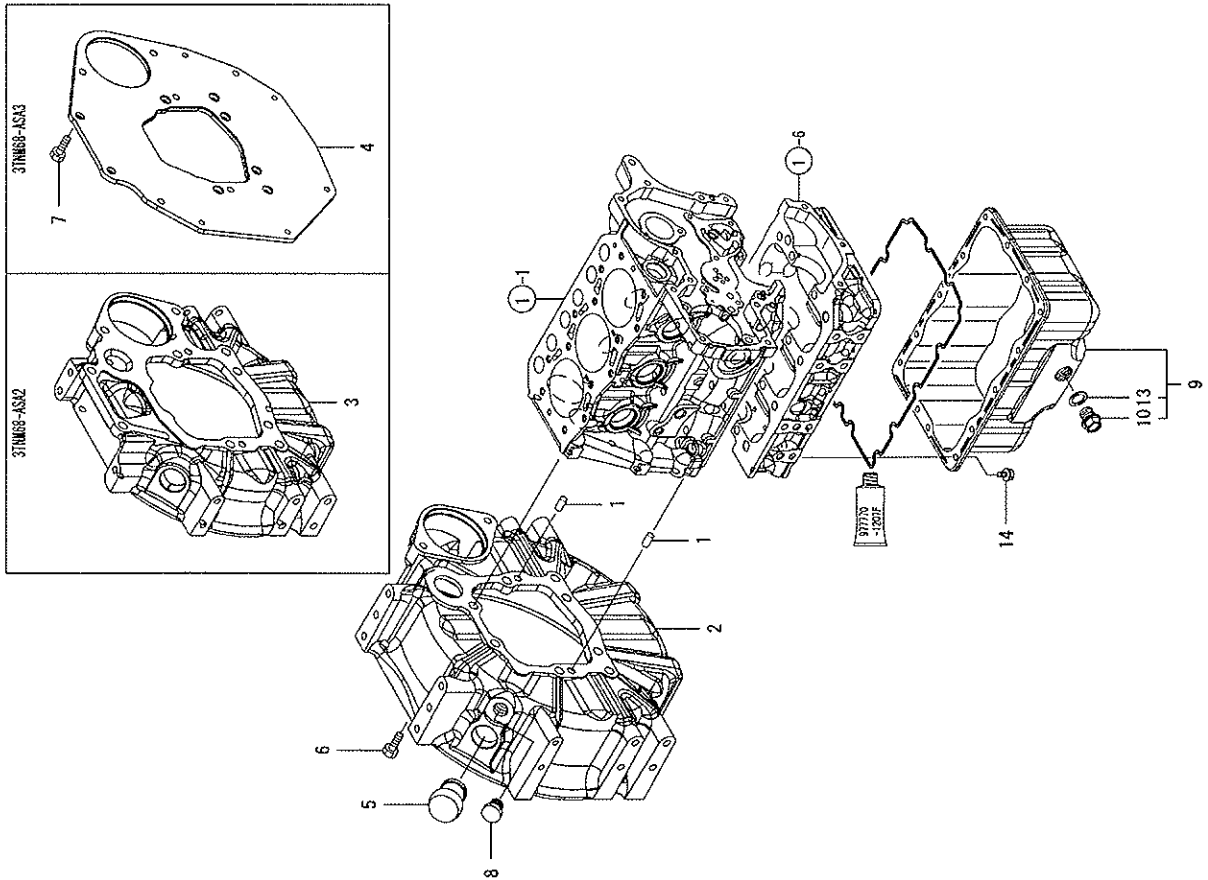


Fig.3. FLYWHEEL HOUSING & OIL SUMP

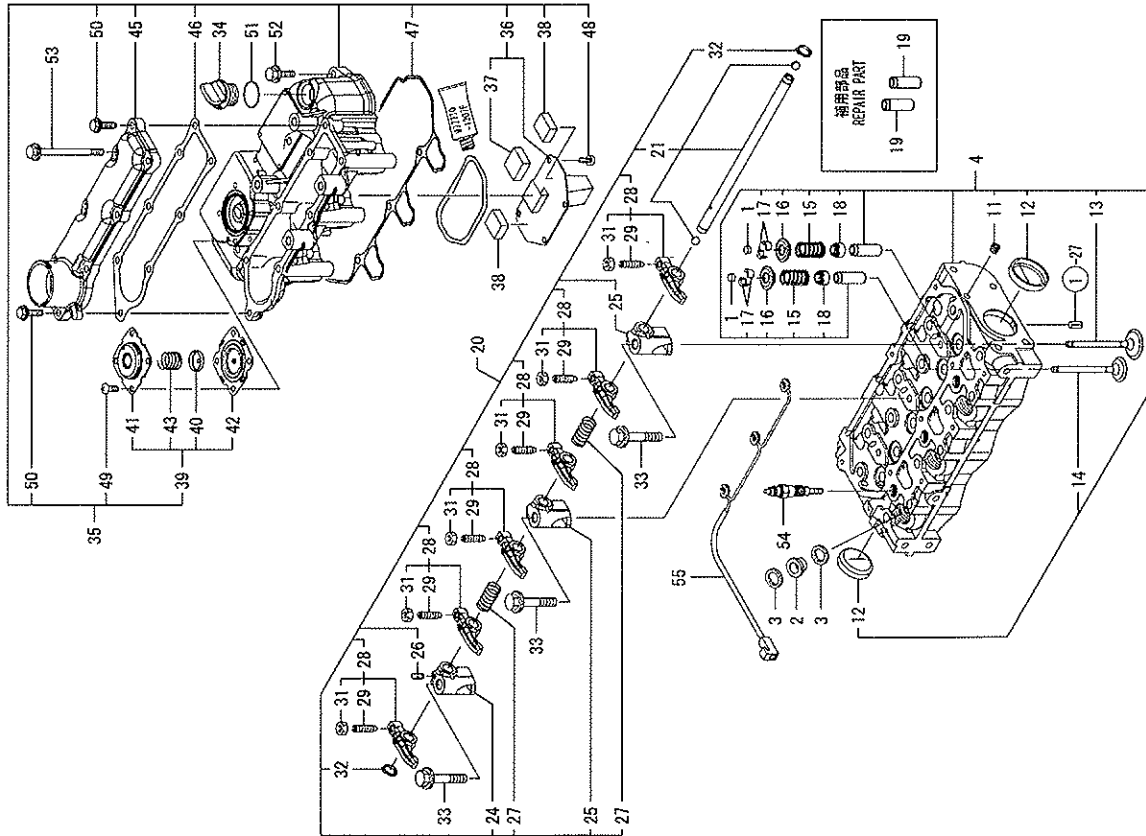


0CW10-G36000 3. FLYWHEEL HOUSING & OIL SUMP

(A)=3TNM68-ASA
 (B)=3TNM68-AS2
 (C)=3TNM68-AS3
 (D)=
 (E)=
 (F)=

REF.	LEV.	PARTS NO.	DESCRIPTION	(A)	(B)	(C)	(D)	(E)	(F)	QTY	I	R
1	1	129100-01580	PARALLEL PIN 8X16	2	2	2				2		
2	1	119128-01600	HOUSING, WHEEL	1						1		
3	1	119125-01600	HOUSING, WHEEL							1		
4	1	119127-01600	FLANGE, MOUNTING							1		
5	1	119620-01750	CAP, FLYWHEEL COVER	1	1					1		
6	1	26206-100252	BOLT, 10 X 25	8	8					8		
7	1	26206-100202	BOLT M10X20							8		
8	1	129486-35210	PLUG	1						1		
9	1	119125-01770	SUMP ASSY, LUB.OIL	1	1					1		
10	2	105425-01690	PLUG M16	1	1					1		
13	2	22190-160002	SEAL WASHER 16S	1	1					1		
14	1	119125-01780	TORQUES BOLT6X10	14	14					14		

Fig.4. CYLINDER HEAD & BONNET



Remarks
(1) REPAIR PART.

0CW10-G36000 4. CYLINDER HEAD & BONNET

(A)=3TNM68-ASA
(B)=3TNM68-ASA2
(C)=3TNM68-ASA3

(D)=
(E)=
(F)=

REF.	LEV.	PARTS NO.	DESCRIPTION	(A)	(B)	(C)	(D)	(E)	(F)	QTY	I	R
1	1	119260-11370	CAP. VALVE	6	6	6				6		
2	1	129901-11450	PROTECTOR, NOZZLE	3	3	3				3		
3	1	119600-11460	GASKET, NOZZLE	6	6	6				6		
4	1	119125-11740	HEAD ASSY, CYLINDER	1	1	1				1		
11	2	23876-005000	PLUG PT 1/16, SCREW	1	1	1				1		
12	2	27241-350000	PLUG 35	2	2	2				2		
13	2	119125-11100	VALVE, INTAKE	3	3	3				3		
14	2	119125-11110	VALVE, EXHAUST	3	3	3				3		
15	2	119125-11130	SPRING, VALVE	6	6	6				6		
16	2	119125-11180	RETAINER, SPRING	6	6	6				6		
17	2	119125-11190	COTTER, VALVE	12	12	12				12		
18	2	119125-11340	SEAL, VALVE STEM	6	6	6				6		
19	1	119125-11800	GUIDE, VALVE	6	6	6				6		
20	1	119125-11200	SUPPORT ASSY, ARM	1	1	1				1		
21	2	119125-11240	SHAFT ASSY, ROCKER	1	1	1				1		
24	2	119125-11260	SUPPORT, ROCKER ARM	1	1	1				1		
25	2	119125-11270	SUPPORT, ROCKER ARM	2	2	2				2		
26	2	119260-11270	SCREW	1	1	1				1		
27	2	119260-11280	SPRING	2	2	2				2		
28	2	119125-11650	ARM ASSY, ROCKER	6	6	6				6		
29	3	105010-11230	SCREW, VALVE	6	6	6				6		
31	3	26856-060002	LOCK NUT 6	6	6	6				6		
32	2	22242-000100	CIRCLIP 10	2	2	2				2		
33	1	26106-080452	BOLT M 8 X 45, PLATED	3	3	3				3		
34	1	106760-01770	CAP. L.O SUPPLY	1	1	1				1		
35	1	119125-11380	BONNET ASSY, HEAD	1	1	1				1		
36	2	119717-03031	PLATE, BAFFLE	1	1	1				1		
37	3	119717-03070	BAFFLE, BREATHER	1	1	1				1		
38	2	119717-03070	BAFFLE, BREATHER	2	2	2				2		
39	2	119802-03100	DIAPHRAGM ASSY	1	1	1				1		
40	3	119802-03110	PLATE, DIAPHRAGM	1	1	1				1		
41	3	119802-03121	COVER, DIAPHRAGM	1	1	1				1		
42	3	119802-03131	DIAPHRAGM	1	1	1				1		
43	3	119802-03141	SPRING, DIAPHRAGM	1	1	1				1		
45	2	119125-11320	COVER, BONNET	1	1	1				1		
46	2	119125-11330	PK (BONNET COVER	1	1	1				1		
47	2	119125-11370	GASKET, BONNET	1	1	1				1		
48	2	22857-500100	SCREW 5X10, TAPPING	4	4	4				4		
49	2	22857-500100	SCREW 5X10, TAPPING	4	4	4				4		
50	2	26476-060202	BOLT M 6 X 20, TAPPING	2	2	2				2		
51	1	24311-000180	O-RING 1A P-18.0	1	1	1				1		
52	1	26106-060202	BOLT M 6 X 20 PLATED	3	3	3				3		
53	1	26106-060802	BOLT M 6 X 80 PLATED	6	6	6				6		
54	1	119125-77800	PLUG, GLOW	3	3	3				3		
55	1	119125-77820	CONNECTOR, GLOW PLUG	1	1	1				1		

Fig.5. EXHAUST MANIFOLD

0CW10-G36000 5. EXHAUST MANIFOLD

(A)=3TNN68-ASA
 (B)=3TNN68-ASA2
 (C)=3TNN68-ASA3

(D)=
 (E)=
 (F)=

REF.	LEV.	PARTS NO.	DESCRIPTION	(A)	(B)	(C)	(D)	(E)	(F)	QTY	I	R
1		119125-13110	GASKET, MANIFOLD	1	1					1		
2		119125-13140	MANIFOLD, EXHAUST	1	1					1		
3		119717-13600	STUD, M8X50	2	2					2		
4		119802-13620	BOLT M 8X 50 PLATED	4	4					4		
5		119131-18320	BOLT M 8X 22	4	4					4		
6		26306-080002	NUT	2	2					2		
7		119515-13200	GASKET, SILENCER	1	1					1		

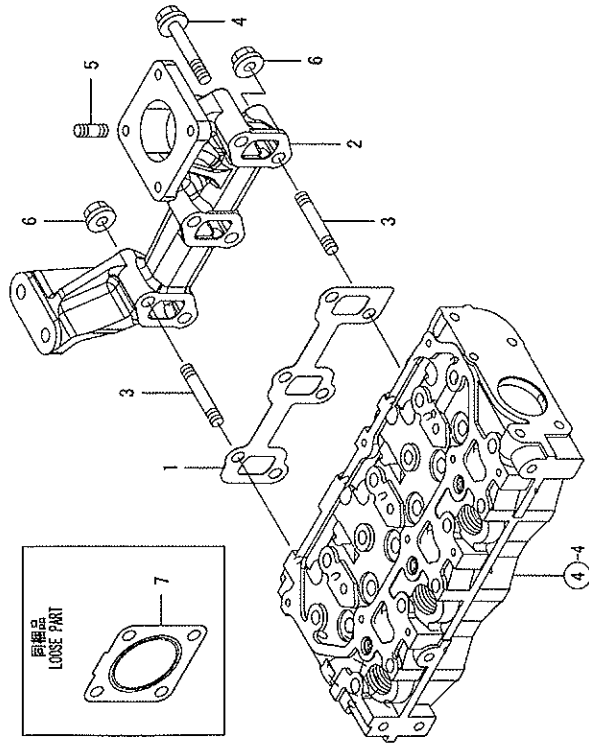
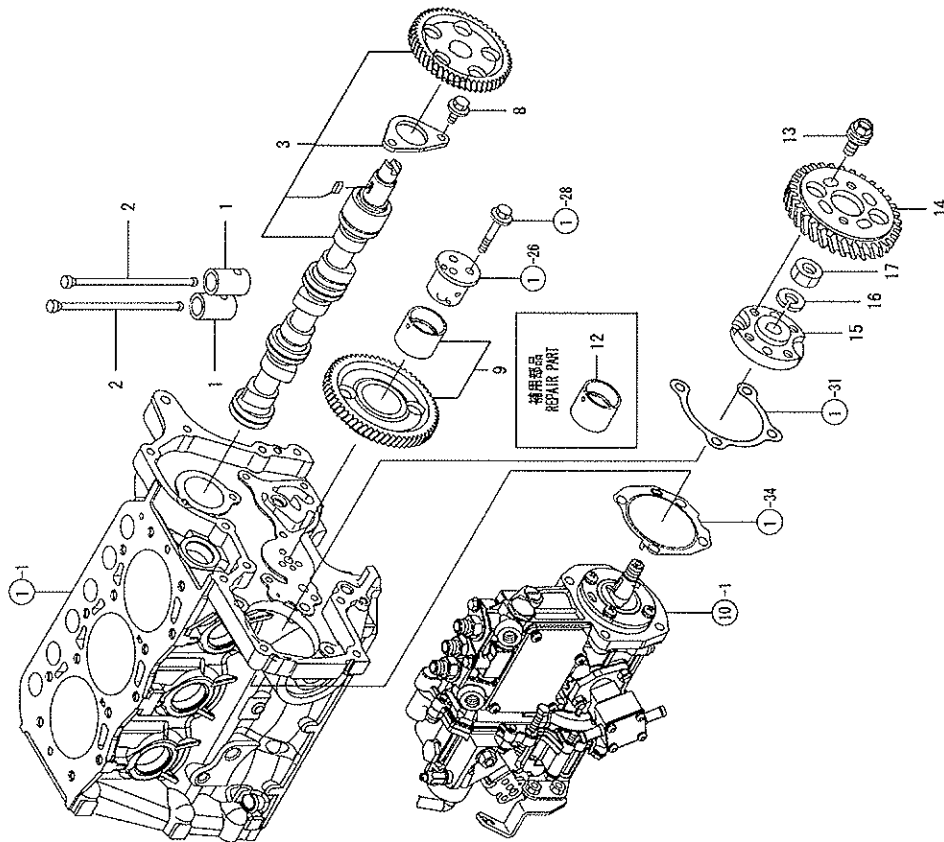


Fig.6. CAMSHAFT & DRIVING GEAR

0CW10-G36000 6. CAMSHAFT & DRIVING GEAR

(A)=3TNM68-ASA
 (B)=3TNM68-ASA2
 (C)=3TNM68-ASA3
 (D)=
 (E)=
 (F)=

REF.	LEV.	PARTS NO.	DESCRIPTION	(A)	(B)	(C)	(D)	(E)	(F)	QTY	I	R
1		119260-14200	TAPPET	6	6	6				6		
2		119260-14400	ROD, PUSH	6	6	6				6		
3		119125-14580	CAMSHAFT ASSY	1	1	1				1		
8		26106-060122	BOLT M 6X 12 PLATED	2	2	2				2		
9		119125-25100	GEAR ASSY, IDLE	1	1	1				1		
12		119125-25910	BUSH, IDLE GEAR	1	1	1				1		
13		129150-25301	BOLT, F.I.P	4	4	4				4		
14		119125-25930	GEAR, FUEL PUMP	1	1	1				1		
15		119717-51150	FLANGE	1	1	1				1		
16		22217-120000	SPRING WASHER 12	1	1	1				1		
17		26716-120002	NUT 12	1	1	1				1		

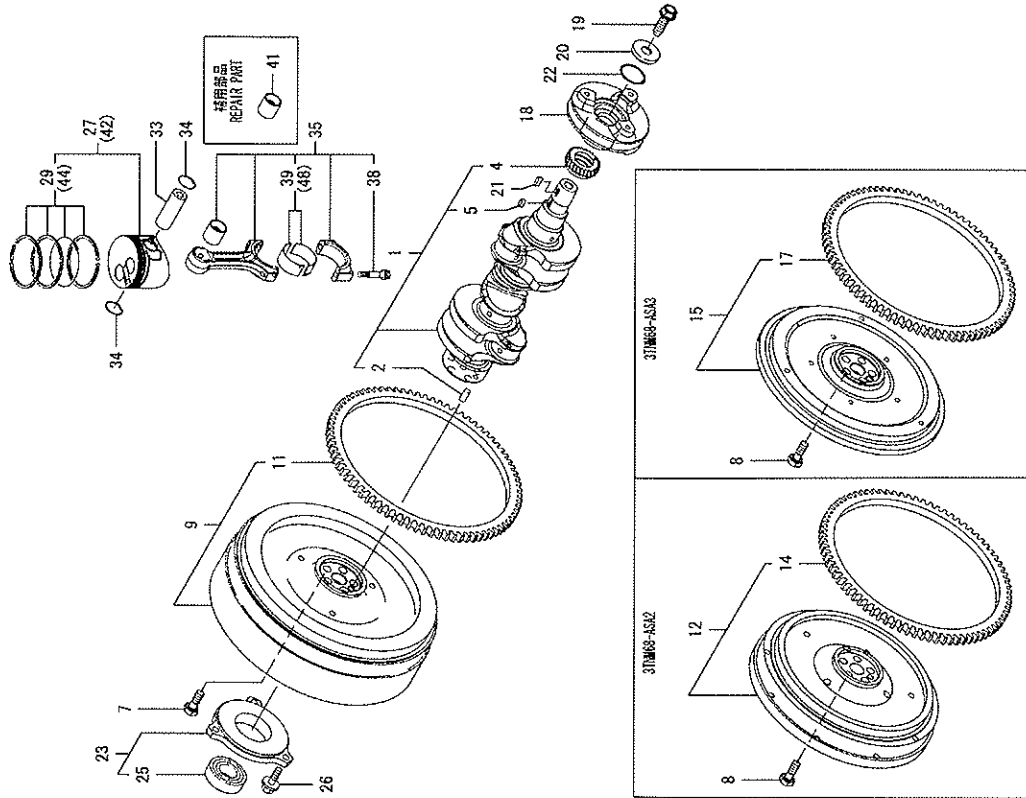


Remarks
 (1) REPAIR PART.

Fig.7. CRANKSHAFT & PISTON

(A)=3TNN68-ASA
 (B)=3TNN68-AS42
 (C)=3TNN68-ASA3
 (D)=
 (E)=
 (F)=

REF.	LEV.	PARTS NO.	DESCRIPTION	(A)	(B)	(C)	(D)	(E)	(F)	QTY	UNIT
1	1	119125-21700	CRANKSHAFT ASSY	1	1	1	1			1	R
2	2	129100-01580	PARALLEL PIN 8X16	1	1	1	1			1	
4	2	119125-21200	GEAR, CRANKSHAFT	1	1	1	1			1	
5	2	22512-040120	KEY 4X 12	1	1	1	1			1	
7	1	121111-21501	BOLT, FLYWHEEL	5	1	1	1			5	
8	1	119620-21500	BOLT, FLYWHEEL	5	1	1	1			5	
9	1	119128-21591	FLYWHEEL ASSY	1						1	
11	2	119865-21600	GEAR, RING	1	1	1	1			1	
12	1	119125-21580	FLYWHEEL ASSY	1						1	
14	2	124950-21600	GEAR, RING Z=97	1	1	1	1			1	
15	1	119127-21590	FLYWHEEL ASSY	1						1	
17	2	124060-21600	GEAR, RING Z=105	1	1	1	1			1	
18	1	119125-21660	V-PULLEY, CRANKSHAFT	1	1	1	1			1	
19	1	119621-21680	BOLT M12X1.25 FLANGE	1	1	1	1			1	
20	1	119717-21940	WASHER 12	1	1	1	1			1	
21	1	22512-050120	KEY 5X 12	1	1	1	1			1	
22	1	24341-000340	O-RING 1A S-34.0	1	1	1	1			1	
23	1	119888-21450	RETAINER CMP,BEARING	1	1	1	1			1	
25	2	24107-062054	BEARING, 6205ZZ	1	3	3	3			3	
26	1	26106-080222	BOLT, 8 X 22	3	3	3	3			3	
27	1	119125-22080	PISTON ASSY	3	3	3	3			3	
29	2	119125-22500	RING SET	3	3	3	3			3	
33	1	119125-22300	PIN, PISTON	3	3	3	3			3	
34	1	22252-000200	CIRCLIP 20	6	6	6	6			6	
35	1	119125-23000	ROD ASSY, CONNECTING	3	3	3	3			3	
38	2	119717-23200	BOLT, CONNECTING ROD	6	6	6	6			6	
39	2	119515-23601	METAL ASSY, CRANK PIN	3	3	3	3			3	
41	1	119260-23910	BUSH, PISTON PIN	3	3	3	3			3	
42	1	119125-22900	PISTON ASSY(O.S=0.25)	3	3	3	3			3	
44	2	119125-22550	RING SET (O.S=0.25)	3	3	3	3			3	
48	1	119515-23611	BEARING,PIN US=0.25	3	3	3	3			3	



Remarks

- (1) REPAIR PART.
- (2) OVER-SIZED(O.S=0.25)PART.
- (3) UNDER-SIZED(U.S=0.25)PART.

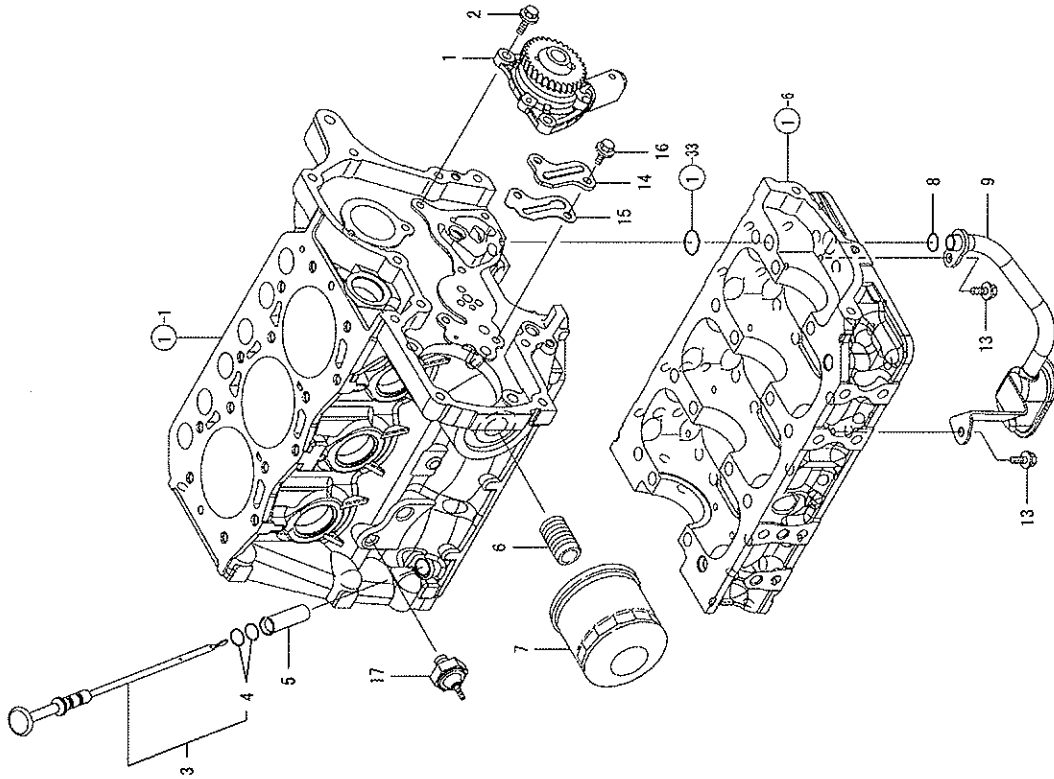
Fig.8. LUB.OIL SYSTEM

0CW10-G36000 8. LUB.OIL SYSTEM

(A)=3TNM68-ASA
 (B)=3TNR68-ASA2
 (C)=3TNM68-ASA3

(D)=
 (E)=
 (F)=

REF.	LEV.	PARTS NO.	DESCRIPTION	(A)	(B)	(C)	(D)	(E)	(F)	QTY	i	R
1	1	119125-32000	PUMP ASSY, LUB.OIL	1	1	1				1		
2	1	26106-060142	BOLT M 6X 14 PLATED	3	3	3				3		
3	1	119125-34800	DIPSTICK	1	1	1				1		
4	2	119125-34900	O-RING SERVICE	2	2	2				2		
5	1	119125-34810	GUIDE, DIPSTICK	1	1	1				1		
6	1	129100-35140	STUD	1	1	1				1		
7	1	119305-35151	FILTER ASSY, LUB.OIL	1	1	1				1		
8	1	119209-35030	O-RING	1	1	1				1		
9	1	119125-35080	PIPE ASSY, LUB.OIL	1	1	1				1		
13	1	26106-060102	BOLT 6X 10 PLATED	2	2	2				2		
14	1	119125-39200	COVER/LO	1	1	1				1		
15	1	119125-39220	PK(LO-T	1	1	1				1		
16	1	26106-060102	BOLT 6X 10 PLATED	2	2	2				2		
17	1	114250-39450	SWITCH,(0.5KG)I. O.	1	1	1				1		



Remarks
 (1) REPAIR PART.

Fig.9. COOLING WATER SYSTEM

0CW10-G36000 9. COOLING WATER SYSTEM

(A)=3TNM68-ASA
 (B)=3TNM68-AS42
 (C)=3TNM68-AS43

(D)=
 (E)=
 (F)=

REF.	LEV.	PARTS NO.	DESCRIPTION	(A)	(B)	(C)	(D)	(E)	(F)	QTY	i	R
1	1	119125-42000	PUMP ASSY, WATER	1	1	1				1		
3	2	119125-42020	COVER WATER PUMP	1	1	1				1		
4	2	119125-42030	PK(WATER PUMP	1	1	1				1		
9	2	119209-42320	O-RING P21	1	1	1				1		
10	2	26577-060122	SCREW M 6X 12	4	4	4				4		
11	2	27241-220000	PLUG 22	1	1	1				1		
12	1	119260-42021	GASKET, C.W.	1	1	1				1		
13	1	23414-080000	GASKET 8, ROUND	1	1	1				1		
14	1	26106-080122	BOLT M 8X 12 PLATED	1	1	1				1		
15	1	26106-080452	BOLT M 8X 45 PLATED	3	3	3				3		
16	1	119717-42350	V-PULLEY, C.W.PUMP	1	1	1				1		
17	1	25132-003500	V BELT, A 35	1	1	1				1		
18	1	119258-44740	FAN(D300,SUCTION	1	1	1				1		
19	1	129457-44760	SPACER, FAN	1	1	1				1		
19-1	1	119258-44760	SPACER, FAN	1	1	1				1		N
20	1	26106-060452	BOLT M 6X 45 PLATED	4	4	4				4		
20-1	1	26106-060602	BOLT M 6X 60 PLATED	4	4	4				4		S
21	1	124101-49531	COVER, THERMOSTAT	1	1	1				1		
22	1	119717-49800	THERMOSTAT,71	1	1	1				1		
23	1	26106-080252	BOLT M 8X 25 PLATED	1	1	1				1		
24	1	26106-080652	BOLT M 8X 65 PLATED	1	1	1				1		
25	1	171056-49120	PLUG, DRAIN	1	1	1				1		
26	1	121450-42450	PLUG M16	1	1	1				1		
27	1	121250-44901	SWITCH, THERMO(110	1	1	1				1		
28	1	124465-44950	GASKET 16	1	1	1				1		
29	1	124465-44950	GASKET 16	1	1	1				1		

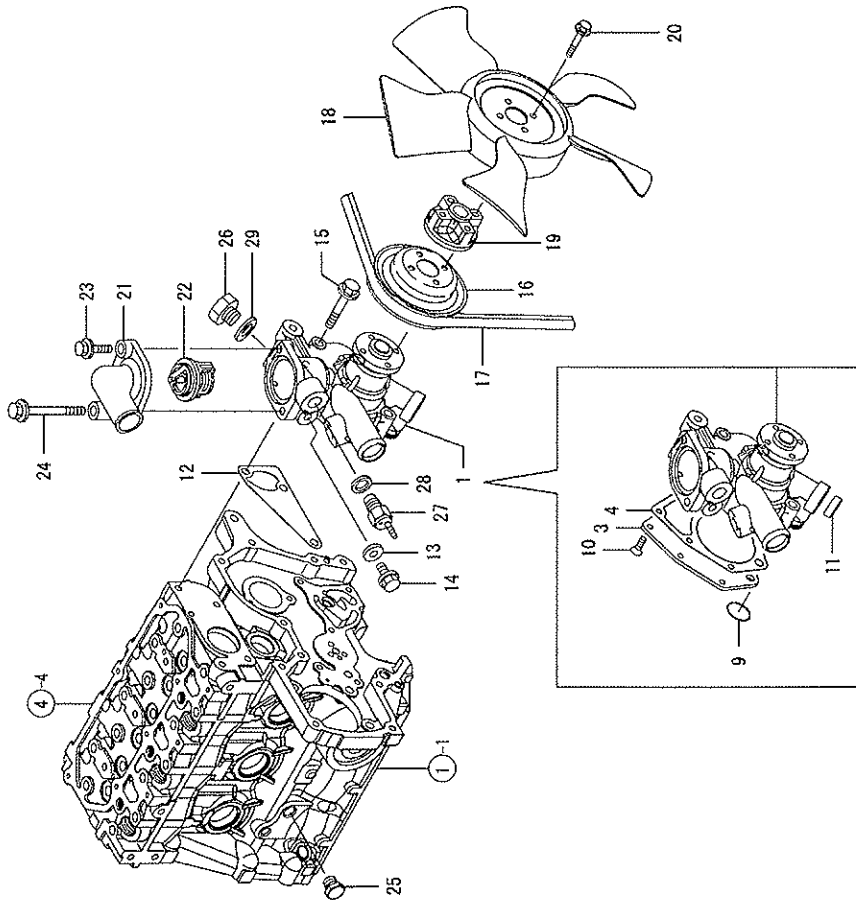
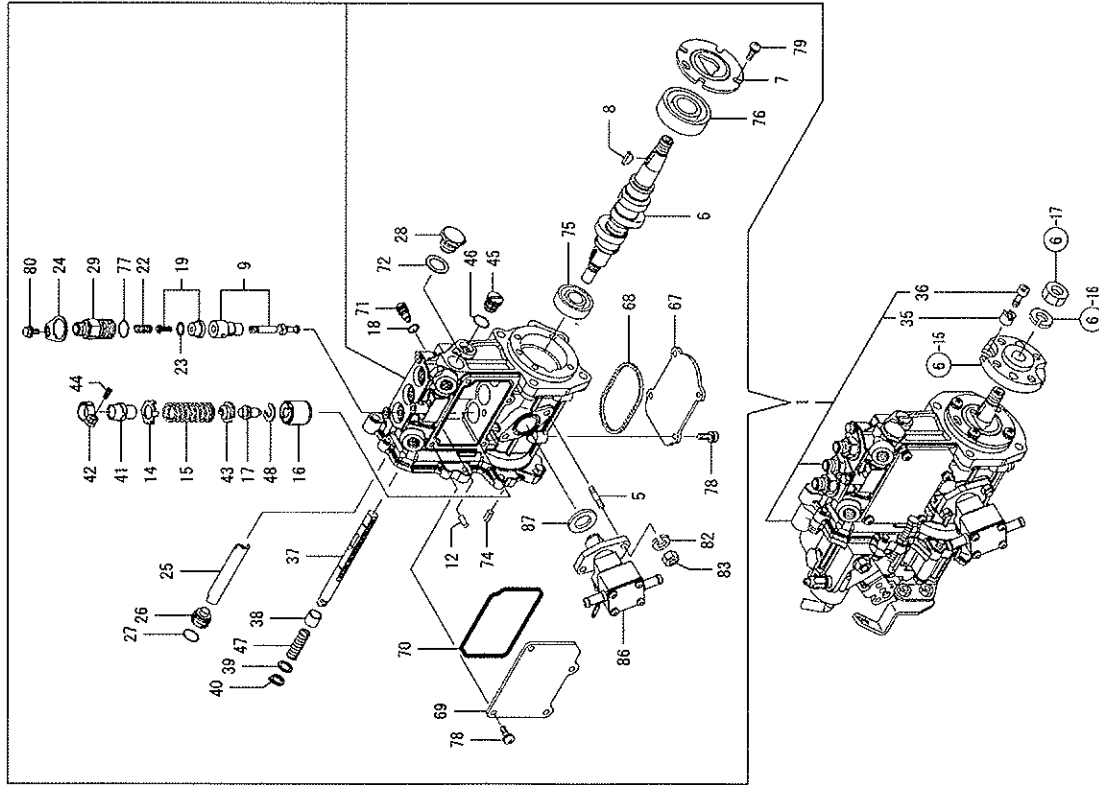


Fig.10. FUEL INJECTION PUMP



Remarks
 (1) GOVERNOR ASSY(FIG.11) IS
 INCORPORATED IN THIS FOP.CMP
 (REF.NO.1).

(A)=3TNM68-ASA
 (B)=3TNM68-ASA2
 (C)=3TNM68-ASA3

REF.	LEV.	PARTS NO.	DESCRIPTION	(A)	(B)	(C)	(D)	(E)	(F)	QTY	I	R
1		719125-51310	INJECTION PUMP ASSY	1	1	1	1			1		
5	2	129155-51020	STUD, FEED PUMP	2	2	2				2		
6	2	119125-51030	CAMSHAFT	1	1	1				1		
7	2	119125-51060	RETAINER	1	1	1				1		
8	2	122710-51090	KEY	1	1	1				1		
9	2	119125-51100	PLUNGER ASSY	3	3	3				3		
12	2	129155-51140	PIN, BARREL LOCKING	3	3	3				3		
14	2	158600-51170	SEAT SPRING	3	3	3				3		
15	2	119717-51190	SPRING, PLUNGER	3	3	3				3		
16	2	119125-51240	FO TAPPET	3	3	3				3		
17	2	119125-51250	FO TAPPET GUIDE	3	3	3				3		
18	2	129155-51280	O-RING S6	1	1	1				1		
19	2	119125-51300	VALVE ASSY, DELIVERY	3	3	3				3		
22	2	128990-51330	SPRING, DELIVERY	3	3	3				3		
23	2	124550-51350	GASKET, DELIVERY	3	3	3				3		
24	2	118400-51370	LOCKING	3	3	3				3		
25	2	129155-51400	DEFLECTOR	1	1	1				1		
26	2	158600-51410	PLUG	1	1	1				1		
27	2	119717-51420	O-RING	1	1	1				1		
28	2	158600-51420	PLUG	1	1	1				1		
29	2	158600-51442	VALVE ASSY, DELIVERY	3	3	3				3		
35	2	119125-51480	COLLAR, FIX FIX	1	1	1				1		
36	2	119125-51490	BOLT, FIXATION	1	1	1				1		
37	2	119717-51500	RACK, CONTROL	1	1	1				1		
38	2	129155-51521	BUSH, RACK	1	1	1				1		
39	2	129155-51530	SPACER, AUX. SPRING	1	1	1				1		
40	2	129155-51540	CIRCLIP	1	1	1				1		
41	2	129155-51550	PINION, CONTROL	3	3	3				3		
42	2	129100-51560	PINION	3	3	3				3		
43	2	119717-51570	RECEIVER, SPRING	3	3	3				3		
44	2	129100-51570	SCREW	3	3	3				3		
45	2	158600-51570	PLUG	1	1	1				1		
46	2	129155-51580	O-RING	1	1	1				1		
47	2	129155-51591	SPRING, RACK	1	1	1				1		
48	2	129155-51600	SHIM PACK	3	3	3				3		
67	2	119125-51700	COVER, PUMP BOTTOM	1	1	1				1		
68	2	119717-51711	PACKING	1	1	1				1		
69	2	119717-51750	COVER, BODY SIDE	1	1	1				1		
70	2	119717-51761	GASKET	1	1	1				1		
71	2	158600-51790	GUIDE, RACK	1	1	1				1		
72	2	22190-160002	SEAL WASHER 16S	1	1	1				1		
74	2	22351-050010	SPRING PIN 5X10	2	2	2				2		
75	2	24101-0600034	BALL BEARING	1	1	1				1		
76	2	24101-0630034	BALL BEARING	1	1	1				1		
77	2	24316-000150	O-RING 4D P15	3	3	3				3		
78	2	26022-050122	SCREW M 5X 12	8	8	8				8		
79	2	26022-060162	SCREW M 6X 16	4	4	4				4		
80	2	26106-050102	BOLT M 5X 10 PLATED	3	3	3				3		
82	2	22217-0600000	SPRING WASHER 6	2	2	2				2		
83	2	26716-0600002	NUT 6	2	2	2				2		
86	2	119125-52000	PUMP ASSY, FUEL FEED	1	1	1				1		

NOld ¹⁵⁵/₁₀₃ New, O-Old ¹⁰³/₁₀₃ New, R-Old ¹⁰³/₁₀₃ New, S-Old ¹⁰³/₁₀₃ New, W-Add, Z-Discontinued, Interchangeable by set, K-Q ty Change
 ++ CONTINUE ++
 (C)Copy Rights YANMAR CO.,LTD.

Fig.11. GOVERNOR

0CW10-G36000 11. GOVERNOR

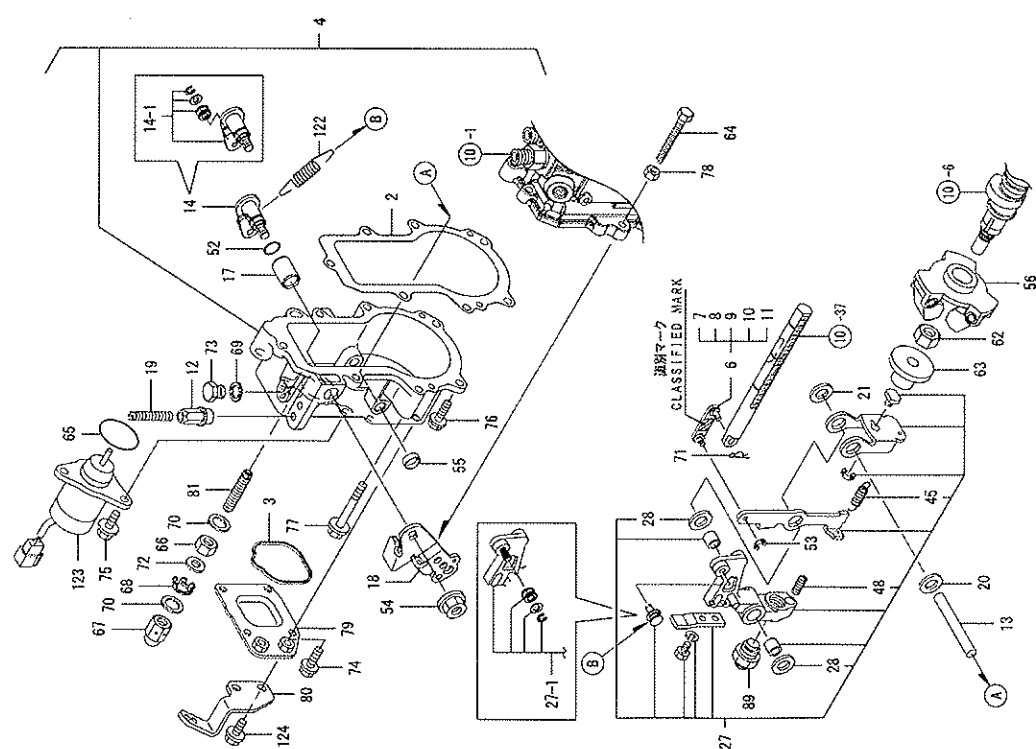
(A)=3TNN68-ASA
 (B)=3TNN68-ASA2
 (C)=3TNN68-ASA3

(D)=
 (E)=
 (F)=

REF.	LEV.	PARTS NO.	DESCRIPTION	(A)	(B)	(C)	(D)	(E)	(F)	QTY	I	R
2		119717-61050	GASKET, CASE	1	1					1		
3		119717-61070	GASKET, COVER	1	1					1		
4		119125-61100	CASE ASSY, GOVERNOR	1	1					1		
6		119125-61110	LINK CMP	1	1					1		
7		119125-61120	LINK, L=29.3	1	1					1		
8		119125-61130	LINK, L=29.8	1	1					1		
9		119125-61140	LINK, L=28.8	1	1					1		
10		119125-61150	LINK, L=30	1	1					1		
11		119125-61160	LINK, L=30.3	1	1					1		
12		129209-61370	NUT M6	1	1					1		
13		119125-61390	SHAFT, LEVER	1	1					1		
14		119125-61400	SHAFT ASSY, CONTROL	1	1					1		
14-1		119125-61401	SHAFT ASSY, CONTROL (C=2009.05.)	1	1					1		N
17		119125-61430	BUSH	1	1					1		
18		119515-61440	LEVER, CONTROL	1	1					1		
19		129155-61450	BOLT, REVOL. LIMIT	1	1					1		
20		129156-61460	SHIM T=0.6	1	1					1		
21		129155-61480	SPACER ASSY	1	1					1		
27		119125-61500	LEVER ASSY, GOVERNOR	1	1					1		
27-1		119125-61501	LEVER ASSY, GOVERNOR (C=2009.05.)	1	1					1		N
28		174307-51700	SHIM SET (B=2009.05.)	2	2					2		
45		129486-61540	SPRING, SET	1	1					1		
48		129100-61650	SPRING, FUEL CONTROL	1	1					1		
52		129155-61830	O-RING S10	1	1					1		
53		22272-00030	CIRCLIP E-3	1	1					1		
54		26366-08002	NUT M 8	1	1					1		
55		27260-12000	PLUG 12 BORE	1	1					1		
56		119125-61200	WEIGHT ASSY	1	1					1		
62		129008-61301	NUT, GOVERNOR WEIGHT	1	1					1		
63		129155-61341	SLEEVE(L=25.5)	1	1					1		
64		129155-61460	BOLT, IDLE LIMIT	1	1					1		
65		158552-61900	O-RING	1	1					1		
66		129209-61920	NUT(ARB)	1	1					1		
67		129209-61930	CAP NUT	1	1					1		
68		129209-61970	PLATE	1	1					1		
69		22190-100002	SEAL WASHER 10S	1	1					1		
70		22190-120002	SEAL WASHER 12	2	2					2		
71		23272-040000	SNAP PIN 4	1	1					1		
72		23414-120016	GASKET 12	1	1					1		
73		23887-100002	PLUG 10	1	1					1		
74		26106-060102	BOLT 6X 10 PLATED	4	4					4		
75		26106-060142	BOLT M 6X 14 PLATED	2	2					2		
76		26106-060202	BOLT M 6X 20 PLATED	4	4					4		
77		26106-060452	BOLT M 6X 45 PLATED	3	3					3		
78		26756-060002	LOCK NUT 6	1	1					1		
79		119761-61060	CASE, GOVERNOR	1	1					1		
80		119761-61080	SUPPORT, ACCEL WIRE	1	1					1		
81		119125-61450	LIMITER ASSY, FUEL	1	1					1		
89		119515-61550	ANGLEICH ASSY	1	1					1		

N:Old ^{REV} New, O:Old ^{REV} New, R:Old ^{REV} New, S:Old ^{REV} New, W:Add, Z:Discontinued, F:Interchangeable by sec. R:Qty Change
 ++ CONTINUE ++

(C)Copy Rights YANMAR CO. LTD.



Remarks
 (1) SELECTIVE PARTS: CERTAIN THE CLASSIFICATION MARK THEN PLACE YOUR ORDER (REF TO ILLUSTRATION).
 * THIS FIGURE (GOVERNOR ASSY) IS INCORPORATED IN THE FUEL INJECTION PUMP ASSY (FIG. 10).

Fig.12. FUEL INJECTION VALVE

0CW10-G36000 12. FUEL INJECTION VALVE

(A)=3TNM68-ASA
 (B)=3TNM68-ASA2
 (C)=3TNM68-ASA3

(D)=
 (E)=
 (F)=

REF.	LEV.	PARTS NO.	DESCRIPTION	(A)	(B)	(C)	(D)	(E)	(F)	QTY	I	R
1		719125-53100	INJECTOR, FUEL	3	3	3				3		
2		119125-53001	NOZZLE CMP	3	3	3				3		
5		119125-53080	NUIT, NOZZLE	3	3	3				3		
6		119125-53100	HOLDER ASSY, NOZZLE	3	3	3				3		
9		119125-53120	SPRING, NOZZLE	3	3	3				3		
10		119125-53130	SEAT, SPRING	3	3	3				3		
11		119125-53140	SPACER, VALVE STOP	3	3	3				3		
12		114250-53400	SHIM PACK	3	3	3				3		
24		129150-59120	RETAINER, INJ. PIPE	1	1	1				1		
27		129150-59131	BOLT MAX14, HEX, SCKT.	2	2	2				2		
29		119125-59810	PIPE, FUEL INJECTION	1	1	1				1		
30		119125-59820	PIPE, FUEL INJECTION	1	1	1				1		
31		119125-59830	PIPE, FUEL INJECTION	1	1	1				1		
32		119125-53800	PK(SEAL)	3	3	3				3		
32-1		129901-59560	GASKET, RETURN	3	3	3				3		N
		(A=2008.12.) (B=2008.12.) (C=2008.12.)										
33		129210-59140	FO-T CMP	1	1	1				1		
33-1		129210-59120	PIPE ASSY, FUEL OIL	1	1	1				1		N
		(A=2009.06.) (B=2009.06.) (C=2009.06.)										
34		124766-59050	CLAMP 12	2	2	2				2		
35		105230-59510	PIPE, FUEL	1	1	1				1		
35-1		129211-59510	PIPE, FUEL OIL	1	1	1				1		N
		(A=2009.06.) (B=2009.06.) (C=2009.06.)										
36		119125-59540	PIPE ASSY, RETURN	3	3	3				3		
41		119125-59560	BOLT PIPE JOINT	1	1	1				1		
42		119515-59570	PIPE, FUEL RETURN	1	1	1				1		
42-1		119125-59570	PIPE, FUEL RETURN	1	1	1				1		N
		(A=2008.12.) (B=2008.12.) (C=2008.12.)										
43		124066-59100	CLAMP 8	2	2	2				2		
44		105225-59240	PIPE, FUEL OIL	1	1	1				1		
44-1		119000-59550	PIPE, FUEL RETURN	1	1	1				1		N
		(A=2008.12.) (B=2008.12.) (C=2008.12.)										
45		119125-59580	JOINT, OVER FLOW	1	1	1				1		
45-1		119840-59570	JOINT	1	1	1				1		N
		(A=2008.12.) (B=2008.12.) (C=2008.12.)										
46		119620-59700	NUIT	3	3	3				3		
47		22190-120002	SEAL WASHER 12	2	2	2				2		

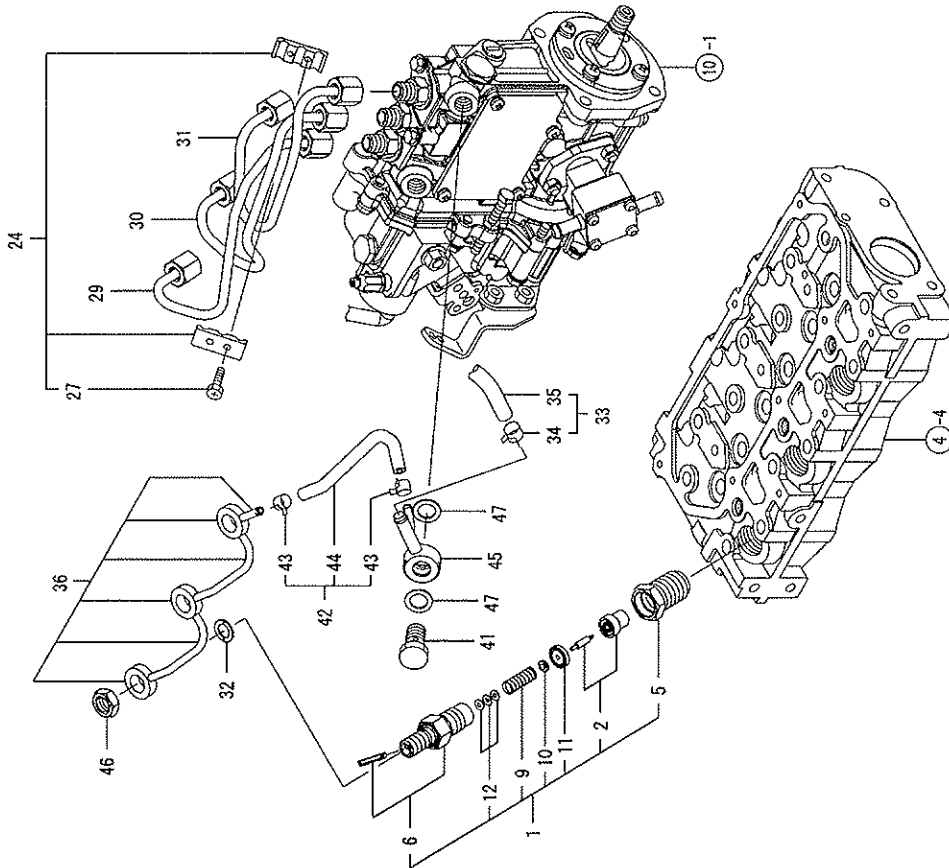


Fig.13. FUEL LINE

(A)=3TNN68-ASA
 (B)=3TNN68-ASA2
 (C)=3TNN68-ASA3
 (D)=
 (E)=
 (F)=

REF.	LEV.	PARTS NO.	DESCRIPTION	(A)	(B)	(C)	(D)	(E)	(F)	QTY	i	R
1		119833-55620	STRAINER ASSY, FUEL	1						1		
2		104200-55330	SPRING, TAPER VALVE	1						1		
3		119810-55340	LEVER	1						1		
4		121254-55510	CUP, STRAINER	1						1		
5		102103-55520	O-RING	1						1		
6		110250-55610	RING, RETAINING	1						1		
7		121250-55620	SPRING	1						1		
8		119810-55650	ELEMENT	1						1		
9		104200-55750	SCREW M 4	1						1		
10		24311-240100	O-RING 1A P-10A	1						1		
11		119125-55650	FO FILTER BRACKET	1						1		
11-1		119128-55651	FO FILTER BRACKET	1						1		N
(A*=2009.06.) (B*=2009.06.) (C*=2009.06.)												
12		26014-080702	BOLT W/WASHER M8X 70	1						1		
13		26106-080162	BOLT M 8 X 16 PLATED	2						2		
14		103854-39140	BOLT, PIPE JOINT	1						1		
15		101304-59020	JOINT 12, PIPE	1						1		
16		129210-59140	FO-T CMP	1						1		
16-1		129210-59120	PIPE ASSY, FUEL OIL	1						1		N
(A*=2009.06.) (B*=2009.06.) (C*=2009.06.)												
17		124766-59050	CLAMP 12	2						2		
18		105230-59510	PIPE, FUEL	1						1		
18-1		129211-59510	PIPE, FUEL OIL	1						1		N
(A*=2009.06.) (B*=2009.06.) (C*=2009.06.)												
19		129210-59230	PIPE ASSY, FUEL OIL	1						1		
19-1		129210-59030	PIPE ASSY, FUEL OIL	1						1		N
(A*=2009.06.) (B*=2009.06.) (C*=2009.06.)												
20		124766-59050	CLAMP 12	2						2		
21		129555-59511	PIPE, FUEL	1						1		
21-1		129150-59511	PIPE, FUEL OIL	1						1		N
(A*=2009.06.) (B*=2009.06.) (C*=2009.06.)												
22		22190-120002	SEAL WASHER 12	2						2		
23		114110-07760	LABEL, FUEL OIL NOTI	1						1		
24		129335-55700	SEPARATOR, WATER	1						1		
25		104200-55321	VALVE, TAPER	1						1		
26		104200-55330	SPRING, TAPER VALVE	1						1		
27		104200-55341	HANDLE, COCK	1						1		
28		124064-55510	BOWL, FUEL STRAINER	1						1		
29		102103-55520	O-RING	1						1		
30		110250-55610	RING, RETAINING	1						1		
31		121257-55720	SPRING, SCREEN	1						1		
32		121257-55731	FLOAT	1						1		
34		101720-55750	PLUG 6	2						2		
35		104200-55750	SCREW M 4	1						1		
36		171081-55910	SCREEN	1						1		
37		23418-060000	GASKET 6, NYLON	2						2		
38		24311-240100	O-RING 1A P-10A	1						1		

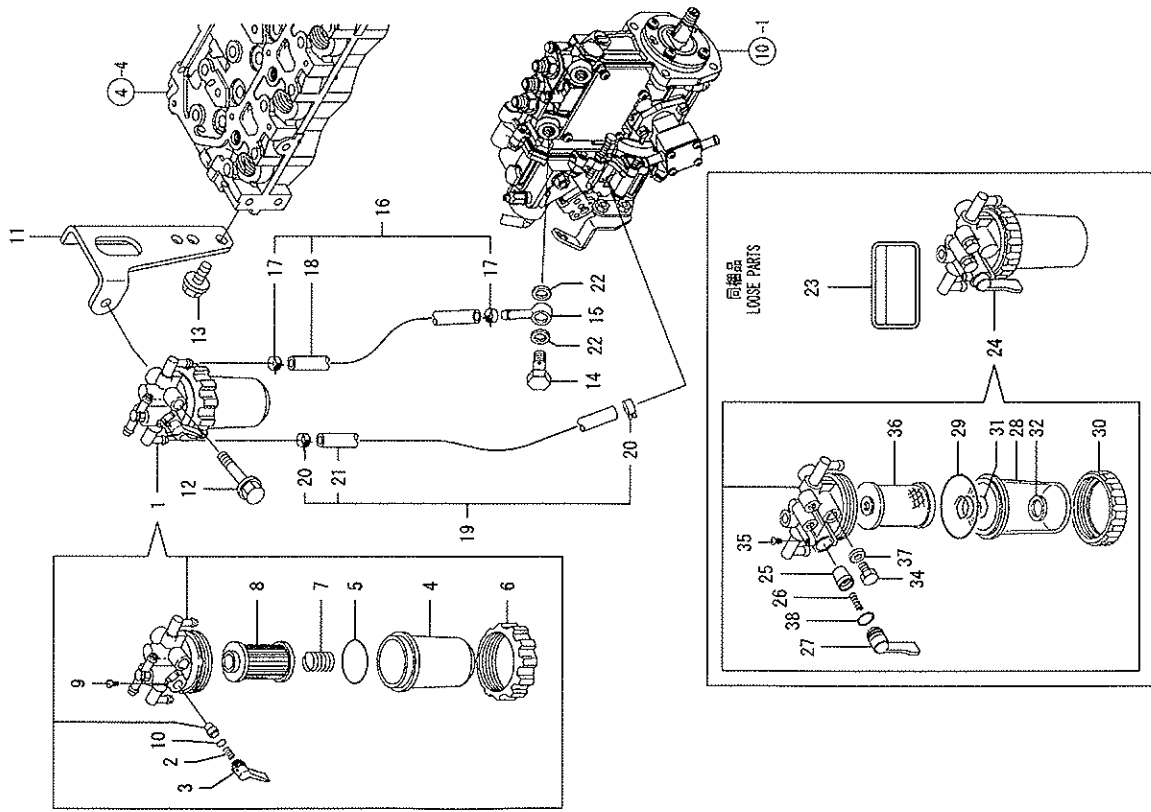


Fig.14. STARTING MOTOR

0CW10-G36000 14. STARTING MOTOR

(A)=3TNM68-ASA
 (B)=3TNM68-AS42
 (C)=3TNM68-ASA3

(D)=
 (E)=
 (F)=

REF.	LEV.	PARTS NO.	DESCRIPTION	(A)	(B)	(C)	(D)	(E)	(F)	QTY	I	R
1	1	119125-77010	STARTER ASSY, 1.2KW	1	1	1	1			1		
2	2	119125-77760	MAGNETIC SWITCH ASSY	1	1	1	1			1		
3	2	119125-77710	ARMATURE ASSY	1	1	1	1			1		
4	2	129698-77110	COIL ASSY, FIELD	1	1	1	1			1		
5	2	129698-77120	HOLDER ASSY, BRUSH	1	1	1	1			1		
6	3	129698-77140	BRUSH(+) SET	1	1	1	1			1		
7	3	129698-77130	BRUSH(-)	2	2	2	2			2		
8	3	129698-77150	SPRING, BRUSH	4	4	4	4			4		
9	2	129698-77161	COVER ASSY, REAR	1	1	1	1			1		
10	2	124195-77770	THROUGH BOLT	2	2	2	2			2		
11	2	119125-77520	HOUSING ASSY, GEARS	1	1	1	1			1		
12	2	119125-77270	LEVER, SHIFT	1	1	1	1			1		
13	2	119125-77280	COVER ASSY, DUST	1	1	1	1			1		
14	2	119125-77170	GEAR	3	3	3	3			3		
15	2	129698-77250	WASHER SET	1	1	1	1			1		
16	2	129698-77180	BRACKET	1	1	1	1			1		
17	2	119125-77200	INTERNAL GEAR	1	1	1	1			1		
18	2	119125-77210	BRACKET	1	1	1	1			1		
19	2	119125-77660	PINION ASSY	1	1	1	1			1		
20	2	119125-77230	SHAFT(PINION)	1	1	1	1			1		
21	1	26106-100252	BOLT M10X 25 PLATED	2	2	2	2			2		

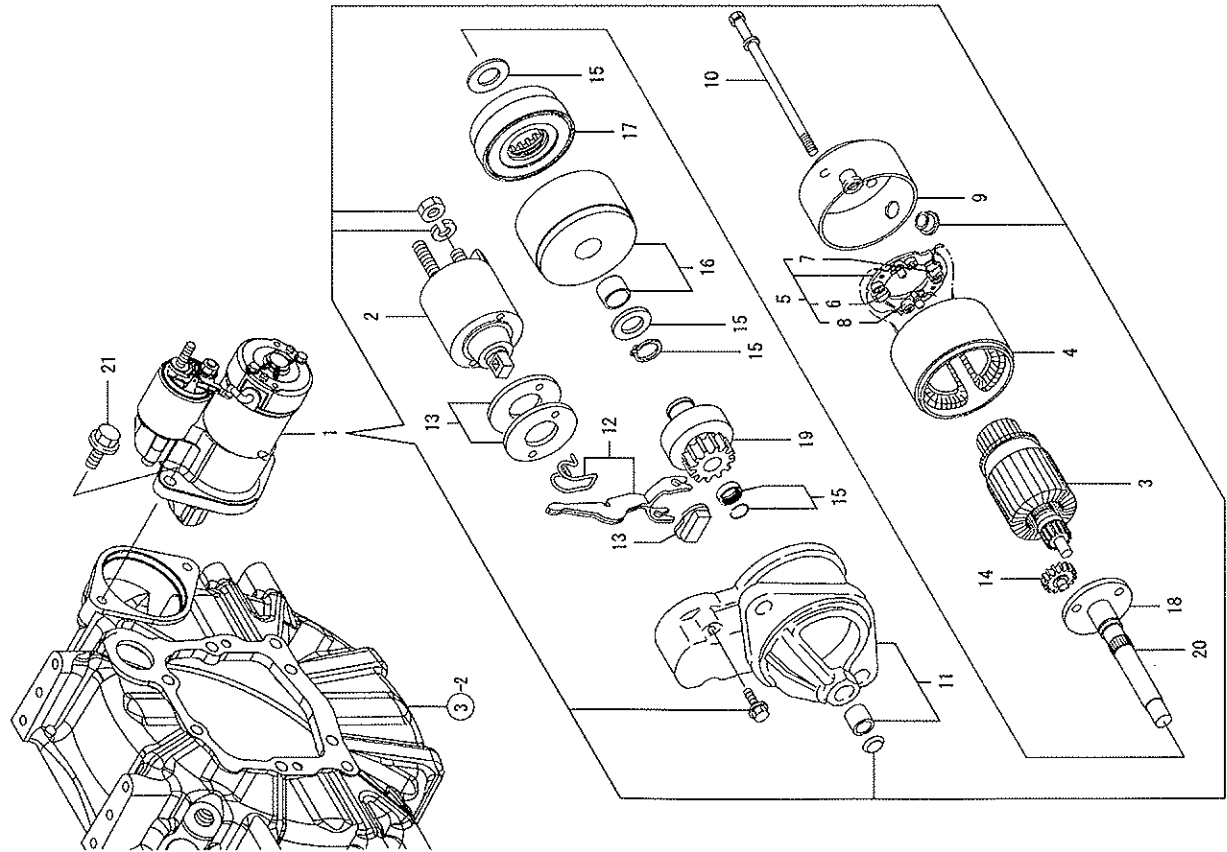


Fig.15. GENERATOR

0CW10-G36000 15. GENERATOR

(A)=3TNM68-ASA
(B)=3TNM68-ASA2
(C)=3TNM68-ASA3

(D)=
(E)=
(F)=

REF.	LEV.	PARTS NO.	DESCRIPTION	(A)	(B)	(C)	(D)	(E)	(F)	QTY	I	R
1	1	119128-77200	GENERATOR, 12V-40A	1	1	1				1		
2	2	119128-77220	GENERATOR, ASSY	1	1	1				1		
14	2	119128-77340	RZ ASSY	1	1	1				1		
17	2	119128-77370	COVER	1	1	1				1		
18	2	119128-77380	BOLT, FLANGE	4	4	4				4		
19	2	119128-77390	COVER	1	1	1				1		
20	1	26106-100402	BOLT M10X 40 PLATED	1	1	1				1		
21	1	119125-77330	ADJUSTER, BELT	1	1	1				1		
21-1	1	119125-77310	ADJUSTER, BELT	1	1	1				1		N
21-2	1	119125-77320	ADJUSTER, BELT	1	1	1				1		N
		(A=-2009.04.) (B=-2009.04.) (C=-2009.04.)										
		(A=-2009.06.) (B=-2009.06.) (C=-2009.06.)										
22	1	124732-77340	SPACER	1	1	1				1		
23	1	129972-77341	BOLT, ADJUSTING	1	1	1				1		
24	1	26106-080202	BOLT M.8X 20 PLATED	1	1	1				1		
25	1	119643-66900	DIODE	1	1	1				1		
26	1	119650-77910	RELAY, GROW	1	1	1				1		
29	1	129211-77920	TIMER	1	1	1				1		

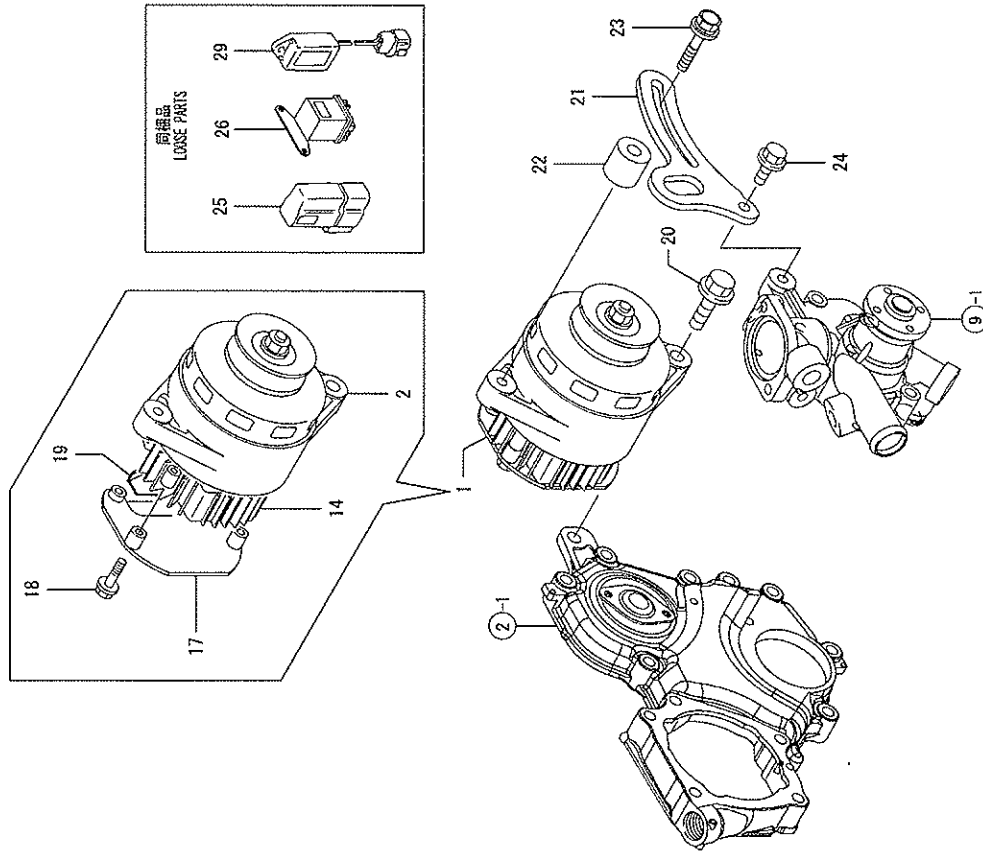
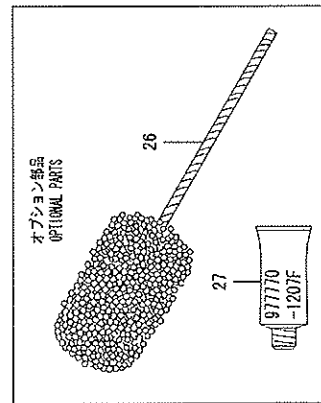
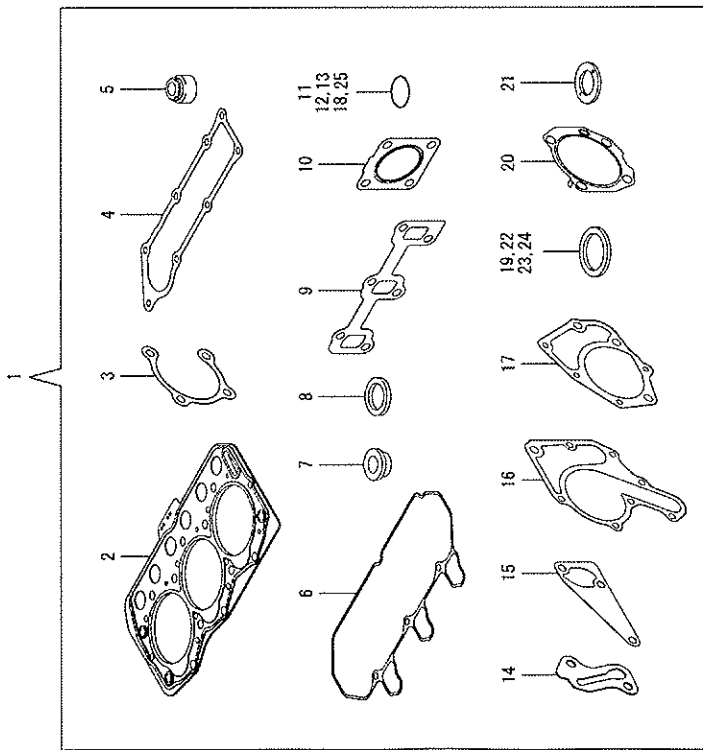


Fig.16. GASKET SET

(A)=3TNM68-ASA
(B)=3TNM68-ASA2
(C)=3TNM68-ASA3

(D)=
(E)=
(F)=

REF.	LEV.	PARTS NO.	DESCRIPTION	QTY					I	R
				(A)	(B)	(C)	(D)	(E)		
1	1	119125-92600	GASKET KIT	1	1	1	1	1	1	1
2	2	119125-01330	GASKET, CYL HEAD	1	1	1	1	1	1	1
3	2	119125-01790	GASKET, FOP BOLT	1	1	1	1	1	1	1
4	2	119125-11330	PK(BONNET COVER	1	1	1	1	1	1	1
5	2	119125-11340	SEAL, VALVE STEM	6	6	6	6	6	6	6
6	2	119125-11370	GASKET, BONNET	1	1	1	1	1	1	1
7	2	129901-11450	PROTECTOR, NOZZLE	3	3	3	3	3	3	3
8	2	119600-11460	GASKET, NOZZLE	6	6	6	6	6	6	6
9	2	119125-13110	GASKET, MANIFOLD	1	1	1	1	1	1	1
10	2	119515-13200	GASKET, SILENCER	1	1	1	1	1	1	1
11	2	129900-32040	O-RING P14	1	1	1	1	1	1	1
12	2	119125-34900	O-RING SERVICE	1	1	1	1	1	1	1
13	2	119209-35030	O-RING	1	1	1	1	1	1	1
14	2	119125-39220	PK(LO-T	1	1	1	1	1	1	1
15	2	119260-42021	GASKET, C.W.	1	1	1	1	1	1	1
16	2	119275-42020	PK(WATER PUMP	1	1	1	1	1	1	1
17	2	119125-42030	PK(WATER PUMP	1	1	1	1	1	1	1
18	2	119209-42320	O-RING P21	1	1	1	1	1	1	1
19	2	124466-44950	GASKET 16	1	1	1	1	1	1	1
20	2	119125-51800	GASKET, PUMP	1	1	1	1	1	1	1
21	2	119125-53800	PK(SEAL	1	1	1	1	1	1	1
22	2	22190-120002	SEAL WASHER 12	5	5	5	5	5	5	5
23	2	22190-160002	SEAL WASHER 16S	1	1	1	1	1	1	1
24	2	23414-080000	GASKET 8, ROUND	1	1	1	1	1	1	1
25	2	24311-000180	O-RING 1A P-18.0	2	2	2	2	2	2	2
26	1	129400-92400	FLEX HORN	1	1	1	1	1	1	1
27	1	97770-1207F	GASKET LIQUID	1	1	1	1	1	1	1



Remarks
(1) OPTIONAL PART.

Fig.17. SHORT BLOCK

0CW10-G36000 17. SHORT BLOCK

(A)=3TNM68-ASA
 (B)=3TNM68-AS42
 (C)=3TNM68-AS43

(D)=
 (E)=
 (F)=

REF.	LEV.	PARTS NO.	DESCRIPTION	QTY					
				(A)	(B)	(C)	(D)	(E)	(F)
1	1	119127-01000	SHORT BLOCK ASSY	1	1	1			
2	2	119127-01560	BLOCK ASSY, CYLINDER	1	1	1			
3	2	119260-14200	TAPPET	6	6	6			
4	2	119125-14580	CAMSHAFT ASSY	1	1	1			
5	2	119125-21700	CRANKSHAFT ASSY	1	1	1			
6	2	119125-22080	PISTON ASSY	3	3	3			
7	2	119125-22300	PIN, PISTON	3	3	3			
8	2	119125-23000	ROD ASSY, CONNECTING	3	3	3			
9	2	119125-25100	GEAR ASSY, IDLE	1	1	1			
10	2	22252-000200	CIRCLIP 20	6	6	6			
11	2	26106-060122	BOLT M 6X 12 PLATED	2	2	2			

NOT ILLUSTRATED

Remarks
 * NOT ILLUSTRATED.

N:Old $\frac{166}{105}$ New, Q:Old $\frac{166}{105}$ New, R:Old $\frac{166}{105}$ New, S:Old $\frac{166}{105}$ New, W:Old, Z:Discontinued, F:Interchangeable by set, K:Oly Change
 (C)Copy Rights YANMAR CO.,LTD.